

ORDER FORM

SECTIONAL GATE INFINITI



Order date:
 Order number:
 Ordering party:

INFINITI PACKAGES



SPRING TYPE

Tension springs
 Maximum surface 9 m²
 C = 130 mm / min 90 mm
 C = 100 mm for manual drive

Torsion front
 Maximum surface 15 m²
 C = 200 mm / A,B = min 75 mm

Torsion rear
 Maximum surface 12,5 m²
 C = 115 mm / A,B = min 75 mm
 C = 85 mm for manual drive

GATE COLOUR

ON THE INSIDE:

White STUCCO structure – standard
 Chosen RAL colour: _____

ON THE OUTSIDE:

KL Anthracite (RAL 7016)**
 KL White (RAL 9016)**
 KL DEEP MAT RAL 7016 Anthracite**
 KL DEEP MAT RAL 7039 Quartz**
 Black RAL 9005 ST**
 Chosen RAL colour: _____

VENEER:

Veneer*: _____

* applies to plain panels without pressing.
 ** applies to panels without pressing.

STRUCTURE (outside)

Woodgrain Plain

PANEL TYPE / PRESSING TYPE (outside)

No pressing High Low

DRIVE

MANUAL DRIVE

manual drive
 prepared for an engine

ELECTRIC DRIVE SOMFY:

CAME HG* (2 remote controls in set)
 Somfy Dexxo Optimo (2 remote controls in set)
 Somfy Dexxo Pro (2 remote controls in set)
 Somfy Dexxo Smart io (2 remote controls in set)
 Nice soon - side drive only for torsion springs (2 remote controls in set)
 Engine rail - band
 Engine rail - chain (standard)
 Additional remote control (piece) _____

does not apply to gates with door.

SUSPENSION

Perforated angle Standard door suspension to 350 mm

Pieces: _____ Pieces: _____

GARAGE (VIEW FROM THE INSIDE)

A - Width of left reveal

B - Width of right reveal

C - Lintel height

D - Embedding depth

H - Height

W - Width

SERVICE DOOR

POSITION* AND OPENING DIRECTION (VIEW OF THE GATE FROM THE INSIDE)

*Door must be located at least 500 mm from edge of the left or right gate.
 CAUTION! Service door with tension springs only in the centre.

GLAZING

290 x 290 (2 panes) 310 x 310 (1 pane) 490 x 160 (2 panes) 585 x 285 (2 panes) ø 330 (1 pane) 250 x 250 Diamond (2 panes)

transparent pane matte pane

Segment no*: 1 2 3 4 5
 No. of windows: _____

PVC frame
 Basic colour: 9016, 7016, 9005, 8017 8014, 8011, 8003
 RAL colour: _____

* segments counted from the ground up.

<input type="checkbox"/> Handle with lock (for manual gates) 	<input type="checkbox"/> Flush-mounted - Tastschalter 	<input type="checkbox"/> Smooth io wall-mounted 	<input type="checkbox"/> IP54 code keypad 	<input type="checkbox"/> Mechanical blocking of the carriage
<input type="checkbox"/> Wall-mounted RTS 2-channel transmitter 	<input type="checkbox"/> Photocells* 	<input type="checkbox"/> Lock with emergency unbolting of the drive from the outside 	<input type="checkbox"/> Blind 100 - 600 mm Dimension: _____ 	<input type="checkbox"/> Side locking bar
<input type="checkbox"/> Renovation profile 100 x 40 x 2 mm RAL: _____	<input type="checkbox"/> Renovation profile 50 x 40 x 2 mm RAL: _____	<input type="checkbox"/> Aluminium section 	<input type="checkbox"/> Quiet rollers** 	<input type="checkbox"/> Coated hinges and fittings (RAL 9016) RAL: _____

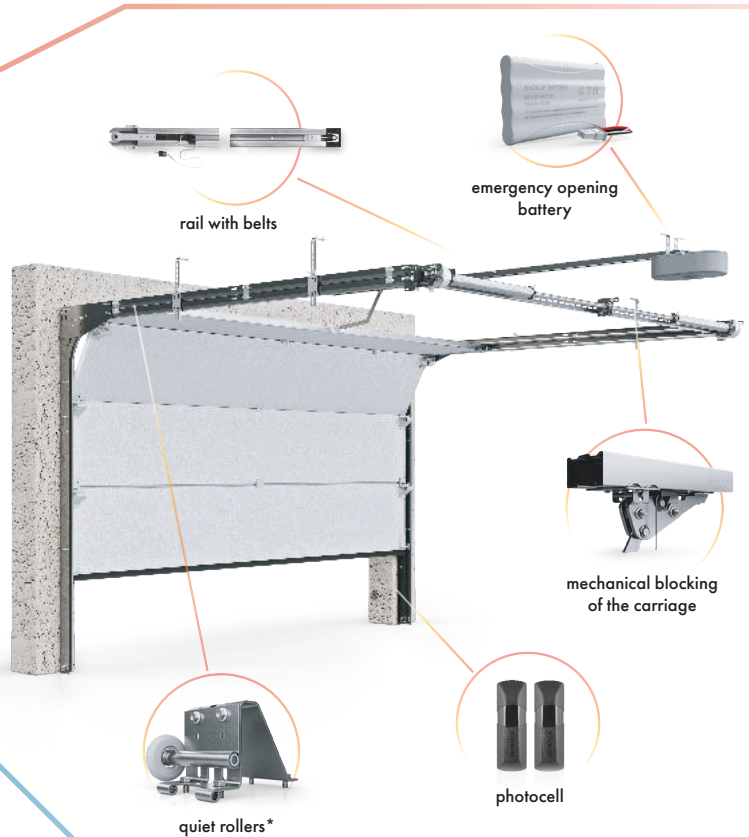
* example photo ** Quiet rollers – applies to side hinges

PACKAGES OF SECTIONAL EQUIPMENT

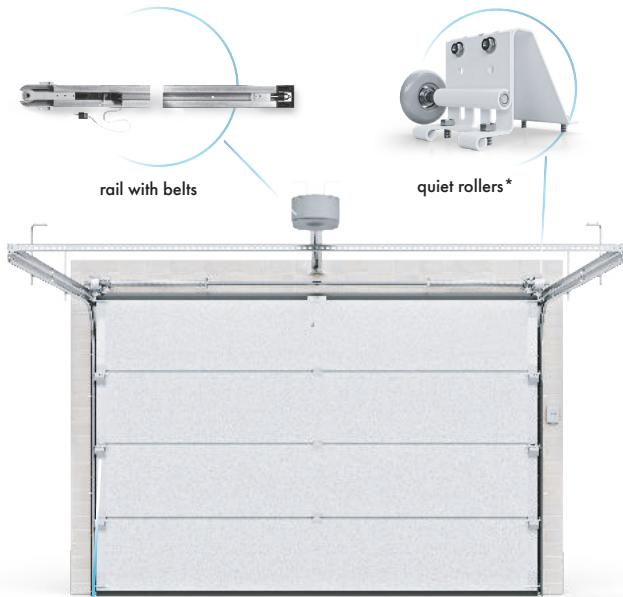
PACKAGE

PREMIUM
INFINITI

SAVINGS 15%
Lower price in a package!



* Quiet rollers – applies to side hinges



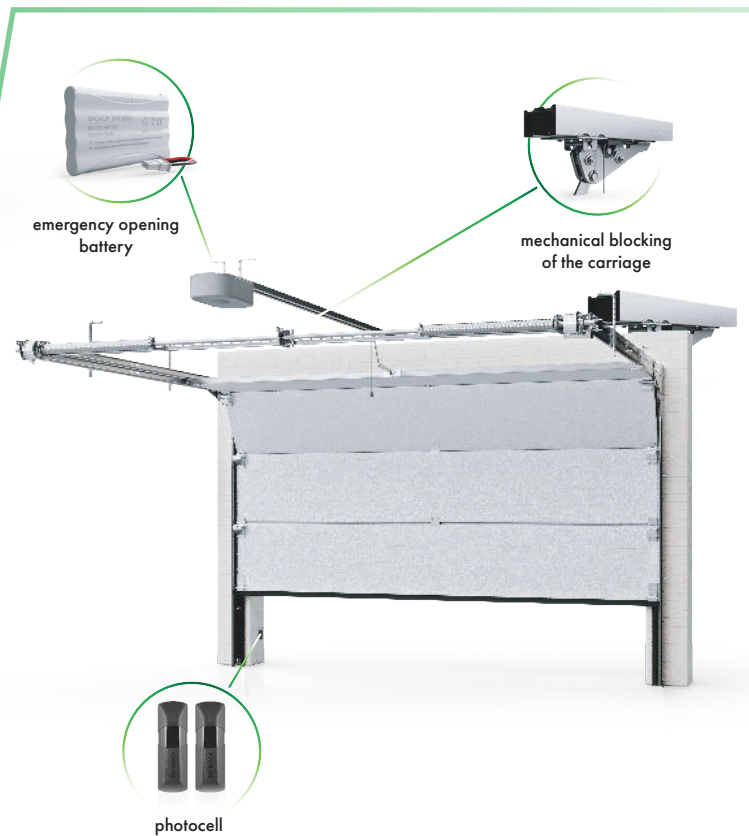
PACKAGE

QUIET
INFINITI

SAVINGS 10%
Lower price in a package!



* Quiet rollers – applies to side hinges
** Painted fittings – RAL 9016, for doors with tension springs, top handles with rollers are silver zinc plated



PACKAGE

SAFE
INFINITI

SAVINGS 10%
Lower price in a package!