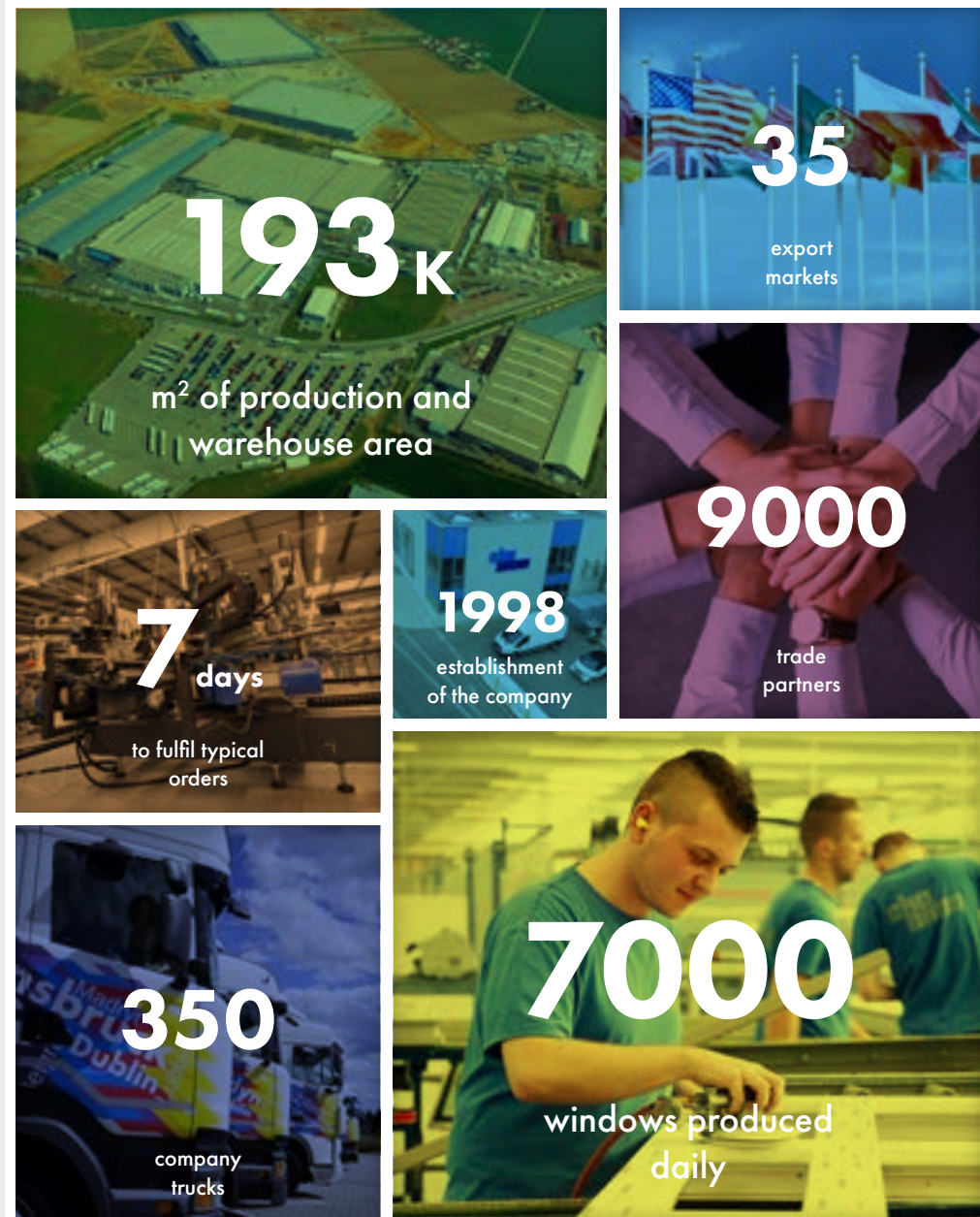


**eko
okna**

ALUMINIUM CATALOGUE





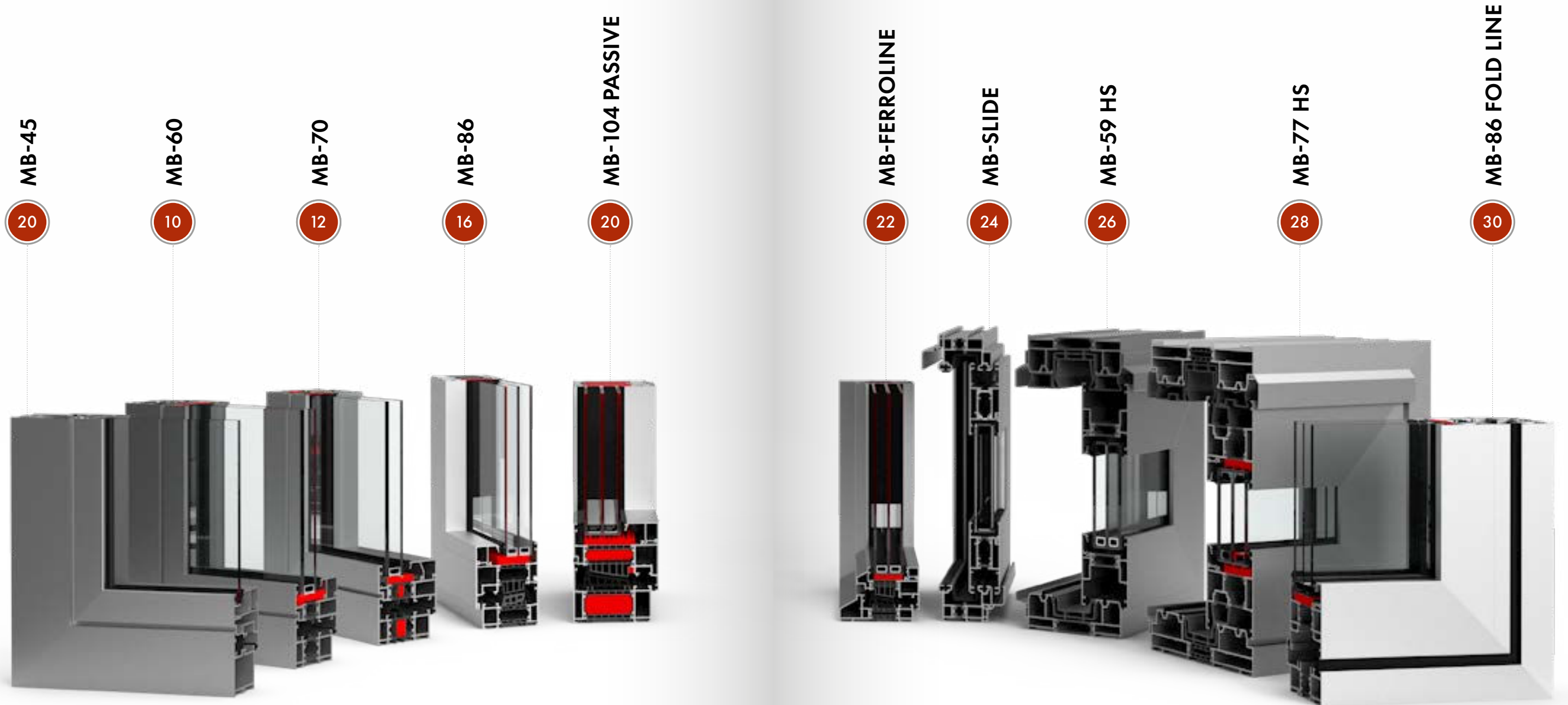


Eko-Okna S.A. Is an international manufacturer of PVC, wooden and aluminium window and door joinery. A market presence since 1998. Production takes place in five production and warehouse halls equipped with the state-of-the-art, fully automated production lines. The production process is supported by qualified and experienced staff. We focus on development and innovation. Our offer is constantly expanding. Today we can offer our customers over 30 different window and door systems - made of PVC, aluminium and wood. We also offer slide systems, shutters, sectional garage doors and mosquito nets, as well as residential fences. All our products are of the best quality because we only use high quality materials from the best European suppliers.

We guarantee the safety and durability of our products. We operate in compliance with ISO 9001 quality management systems. We hold a CE certificate.

We are aware that the basis for good business relations is open communication. Drawing on many years of experience, we have created a company that definitely stands out in this respect compared to our competitors.

We have multilingual teams of qualified advisers and regional account managers to assist our customers. We consider each inquiry, project or order individually to make the best use of the highest quality components.



MB-45

WINDOW AND DOOR SYSTEMS



MB-45

The structures made on the basis of the MB-45 system perfectly blend into office buildings. The raw appearance of aluminium and large glazing area give the interior a unique and extremely modern design. An additional advantage of the system is the structural depth of the profiles themselves. In the case of windows, it allows us to obtain a single plane from the outside, in the case of doors - the effect of flush surfaces of the leaves and frame.

The system is mainly used for the production of windows, box offices, vestibules, display cases, doors and partitions. This is possible thanks to the lack of a thermal break, Therefore, the MB-45 system is recommended for indoor structures. Despite the fact that the system is not characterized by very high thermal insulation parameters, it creates a lot of construction possibilities. It lets us create a window with a height of even 2400 mm and width of 1250 mm. It is worth emphasizing that with the help of the MB-45 system we can easily create even the most complex structures, such as swing doors or arched windows (only with fixed glazing).

| SPECIFICATIONS | MB-45 |
|--|--|
| Frame depth (door / window) | 45 mm |
| Leaf depth (door / window) | 45 mm / 54 mm |
| Glazing thickness (permanent window and door / active window) | 2 - 25 mm / 2 - 34 mm |
| MIN. VISIBLE PROFILE WIDTH | |
| Frame (door / window) | 66,5 mm / 43,5 mm |
| Leaf (door / window) | 72 mm / 27,5 mm |
| MAX STRUCTURE DIMENSIONS AND WEIGHT | |
| Max. dimensions of tilt-and-turn window | H to 2400 mm (1850 mm) L to 1250 mm (1600 mm) |
| Max. dimensions of door leaf | H to 2400 mm (2200 mm) L to 1250 mm (1400 mm) |
| Max. weight of the leaf (door / window) | 120 / 130 kg |

MB-60

WINDOW AND DOOR SYSTEMS



| SPECIFICATIONS | MB-60 / HI | MB-60US / HI | MB-60 PIVOT |
|--|------------------------------|------------------------------|------------------------------|
| Frame depth (door / window) | 60 mm | | |
| Leaf depth (door / window) | 60 mm / 69 mm | 69 mm | |
| Glazing thickness (permanent window and door / active window) | 5 – 41 mm 14 – 50 mm | 4 – 35 mm 8 – 44 mm | 5 – 41 mm 14 – 50 mm |
| MIN. VISIBLE PROFILE WIDTH | | | |
| Frame (door / window) | 51 mm / 47 mm | 75 mm | 47 mm |
| Leaf (door / window) | 72 mm / 29 mm | 34,6 mm | 76 mm |
| MAX STRUCTURE DIMENSIONS AND WEIGHT | | | |
| Max. dimensions of tilt-and-turn window | H to 2400 mm L to 1250 mm | H to 1900 mm L to 1100 mm | H to 2000 mm L to 2400 mm |
| Max. dimensions of door leaf | H to 2400 mm L to 1200 mm | - | - |
| Max. weight of the leaf (door / window) | 120 kg / 130 kg | 130 kg | 180 kg |



MB-60

Using the MB-60 system, we can make both tilt, turn, tilt-and-turn and tilt-and-slide windows and doors. Four alternative solutions have been created on the basis of this system, which create even greater possibilities of its use. MB-60 HI is the first solution, ensuring improved thermal insulation properties. It can be used both in individual buildings and in aluminium façades. Increasing the thermal insulation was possible thanks to placing special inserts in the central chambers, thus reducing the heat flow through the structure.

The MB-60 Concealed Sash belongs to MB-60 system with a thermal break as well. Windows made of the elements of this system have invisible leaves from the outside of the building. It is impossible to distinguish the location of adjacent fixed and opening windows. One of the most interesting solutions within the MB-60 system is certainly the MB-60 PIVOT, which enables the creation of revolving windows.

Alternative variants of MB-60 window profiles



MB-60 US



MB-60 PIVOT

MB-70

WINDOW AND DOOR SYSTEMS



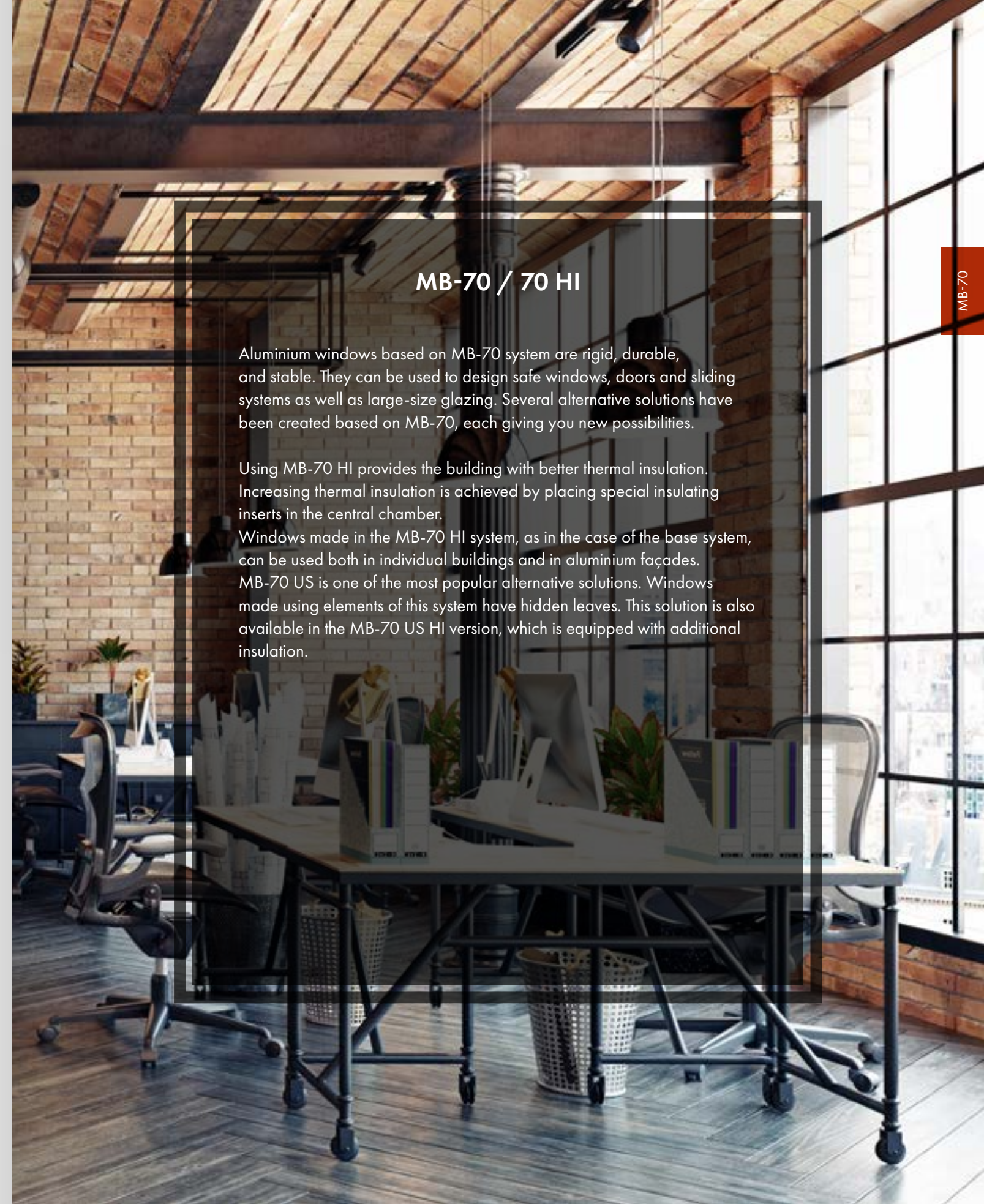
MB-70 / 70 HI

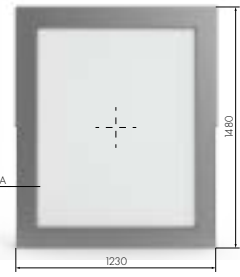
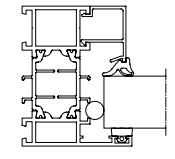
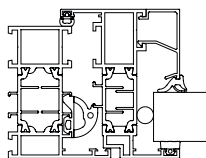
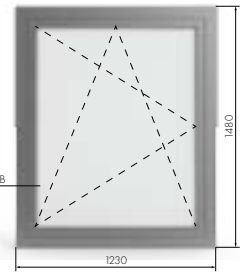
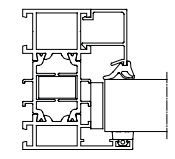
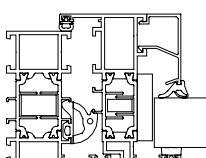
Aluminium windows based on MB-70 system are rigid, durable, and stable. They can be used to design safe windows, doors and sliding systems as well as large-size glazing. Several alternative solutions have been created based on MB-70, each giving you new possibilities.

Using MB-70 HI provides the building with better thermal insulation. Increasing thermal insulation is achieved by placing special insulating inserts in the central chamber.

Windows made in the MB-70 HI system, as in the case of the base system, can be used both in individual buildings and in aluminium façades. MB-70 US is one of the most popular alternative solutions. Windows made using elements of this system have hidden leaves. This solution is also available in the MB-70 US HI version, which is equipped with additional insulation.

| SPECIFICATIONS | MB-70 / HI | MB-70US / HI |
|--|------------------------------|------------------------------|
| Frame depth (door / window) | 70 mm | |
| Leaf depth (door / window) | 70 mm / 79 mm | 79 mm |
| Glazing thickness (permanent window and door / active window) | 15 – 51 mm 23 – 60 mm | 9 – 45 mm 18 – 54 mm |
| MIN. VISIBLE PROFILE WIDTH | | |
| Frame (door / window) | 51 mm / 47 mm | 75 mm |
| Leaf (door / window) | 72 mm / 32 mm | - |
| MAX STRUCTURE DIMENSIONS AND WEIGHT | | |
| Max. dimensions of tilt-and-turn window | H to 2400 mm L to 1600 mm | H to 2100 mm L to 1400 mm |
| Max. dimensions of door leaf | H to 2400 mm L v 1300 mm | - |
| Max. weight of the leaf (door / window) | 120 kg / 130 kg | 130 kg |



| WINDOW DIAGRAMS | SECTION A OR B | Ud W/(m²K) value | | | |
|--|----------------|--|--------|----------------|-----|
| | | Glass with Chromatech Ultra frame | | | |
| | | Double chamber | | Single chamber | |
| | | Ug=0,5 | Ug=0,7 | Ug=1,0 | |
|  | MB-70 |  | 0,8 | 1,0 | 1,2 |
| | |  | 1,0 | 1,1 | 1,3 |
|  | MB-70 HI |  | 1,0 | 1,1 | 1,3 |
| | |  | 1,0 | 1,1 | 1,3 |

Alternative variants of MB-70 window profiles



DOOR MB-70 HI



MB-70 US



MB-86

WINDOW AND DOOR SYSTEMS



MB-86 / 86 SI / AERO

One system, multiple possibilities. Using only the MB-86 system, we are able to produce regular windows, windows with a hidden leaf, and even aluminium Despiro doors. This multi-purpose solution guarantees top aesthetics and durability. The two-component central gasket perfectly seals and insulates the space between the leaf and the frame, which is another advantage of this solution. The aesthetic finish of the joinery based on the MB-86 system not only provides numerous amount of the available colours, but also the glazing beads. Available in three versions: Standard, Prestige, and Style.

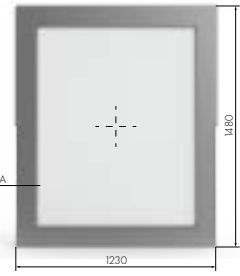
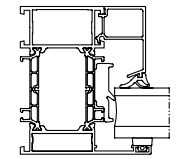
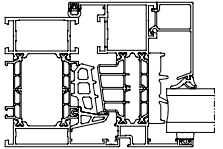
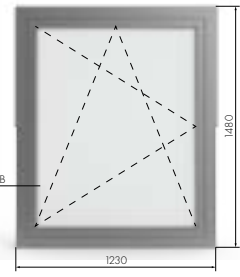
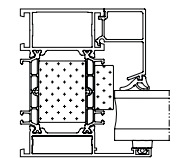
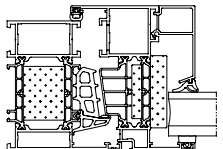
MB-86 system belongs to products of excellent thermal insulation parameters. The construction of its profiles has three variants of execution. Depending on the requirements for thermal insulation parameters, these can be: ST, SI and AERO. In the AERO version, the profiles are supplemented with aerogel, a material with excellent thermal insulation.

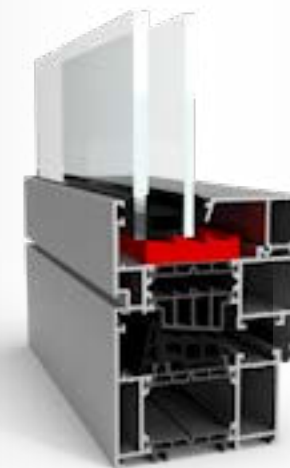
| SPECIFICATIONS | MB-86 WINDOW | MB-86 DOOR | MB-86 US |
|--|---|------------------------------|--------------------------------------|
| Frame depth | 77 mm | 77 mm | 77 mm |
| Leaf depth | 86 mm | 77 mm | 80,8 mm |
| Glazing thickness | frame: 13,5 – 58,5 mm leaf: 21 – 67,5 mm | 13,5 – 58,5 mm | frame: 7 – 52 mm leaf: 15 – 60 mm |
| MAX STRUCTURE DIMENSIONS AND WEIGHT | | | |
| Max. dimensions of leaf | H to 2800 mm L to 1700 mm | H to 3000 mm L to 1400 mm | H to 2500 mm L to 1600 mm |
| Max. weight of the leaf | 150 kg | 200 kg | 150 kg |



MB-86

Alternative variants of MB-86 window profiles

| WINDOW DIAGRAMS | SECTION A OR B | Ud W/(m²K) value | | | |
|--|----------------|--|--------|----------------|------|
| | | Glass with Chromatech Ultra frame | | | |
| | | Double chamber | | Single chamber | |
| | | Ug=0,5 | Ug=0,7 | Ug=1,0 | |
|  | MB-86 ST |  | 0,77 | 0,94 | 1,23 |
| | |  | 0,90 | 1,04 | 1,29 |
|  | MB-86 AERO |  | 0,72 | 0,88 | 1,16 |
| | |  | 0,80 | 0,93 | 1,19 |



MB-86 ST



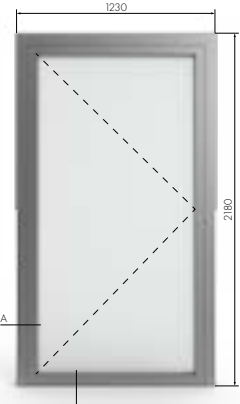
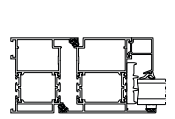
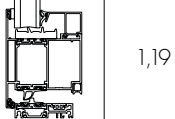

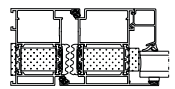
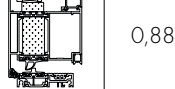
MB-86 AERO



MB-86 US AERO

MB-86

Alternative variants of MB-86 door profiles

| WINDOW DIAGRAMS | SECTION A OR B | Ud W/(m²K) value | | | |
|---|----------------|--|--------|----------------|------|
| | | Glass with Chromatech Ultra frame | | | |
| | | Double chamber | | Single chamber | |
| | | Ug=0,5 | Ug=0,7 | Ug=1,0 | |
|  | MB-86 ST |  | 1,19 | 1,32 | 1,54 |
| | |  | | | |
|  | MB-86 AERO |  | 0,88 | 1,02 | 1,23 |
| | |  | | | |



MB-86 ST



MB-86 AERO



MB-104 PASSIVE

WINDOW SYSTEM



MB-104 PASSIVE

Windows made on the basis of the MB-104 Passive system meet the highest requirements for thermal insulation, which has been confirmed by certificates from the PHI (Passive House Institute) Darmstadt. The system combines technical possibilities, excellent thermal protection and great appearance. MB-104 Passive has three-chamber profiles, in which the central part acts as an insulation chamber with a width of 60 or 61 mm.

Depending on the required thermal insulation, the system is available in two versions - SI and AERO versions. In the latter case, the space between the thermal separators is filled with aerogel inserts. Both solutions provide excellent heat transfer parameters. Thanks to the special shapes of the two-component central gasket as well as the glazing and swing gaskets, the windows are characterized by excellent tightness, preventing water penetration and ensuring high wind load resistance.

| SPECIFICATIONS | MB-104 PASSIVE WINDOW |
|--|---|
| Frame depth | 95 mm |
| Leaf depth | 104 mm |
| Glazing thickness | frame: 27 - 72 mm leaf: 34,5 - 81 mm |
| MAX STRUCTURE DIMENSIONS AND WEIGHT | |
| Max. dimensions of leaf | H to 2900 mm L to 1700 mm |
| Max. weight of the leaf | 160 kg |

MB-FERROLINE

WINDOW SYSTEM WITH NARROW PROFILES



MB-FERROLINE

The Ferroline system is largely intended for renovation of historical buildings. The appearance of the profiles perfectly imitates steel joinery, and their design provides them with very good technical parameters. This system can be used to make all types of inward opening windows (turn, tilt, turn-and-tilt) and fixed windows, which, apart from excellent thermal insulation, are also characterized by very good sound insulation as well as water and air tightness.

The profile shapes are available in several versions. Renovation frames available in the system allow the installation of new joinery without the need to dismantle the old frames, and thus without the risk of possible damage to the wall around the windows. The visible width of the aluminium profiles is adjusted so that it does not cause large differences in the external appearance between old and new windows. Based on proven solutions and having a whole range of new profiles with appropriate shapes, with the Ferroline system we have the option of making structures that are ideally suited to the character of the building.

| SPECIFICATIONS | MB-FERROLINE |
|--|-------------------|
| Frame depth | 110 mm |
| Leaf depth | 86 mm – 93,5 mm |
| Glazing thickness | 13,5 mm – 61,5 mm |
| MAX STRUCTURE DIMENSIONS AND WEIGHT | |
| Max. dimensions of leaf | 2400 x 1400 mm |
| Max. weight of the leaf | 150 kg |

MB-SLIDE

SLIDING DOOR SYSTEM



| SPECIFICATIONS | MB-SLIDE |
|--|------------------------------|
| Frame depth | 50 and 97 mm |
| Leaf depth | 37 mm |
| Glazing thickness | 24 mm |
| MIN. VISIBLE PROFILE WIDTH | |
| Frame | 44,5 mm |
| Leaf | 68,5 mm |
| MAX STRUCTURE DIMENSIONS AND WEIGHT | |
| Max. dimensions of leaf | H to 2600 mm L to 1800 mm |
| Max. weight of the leaf | 160 kg |

MB-SLIDE

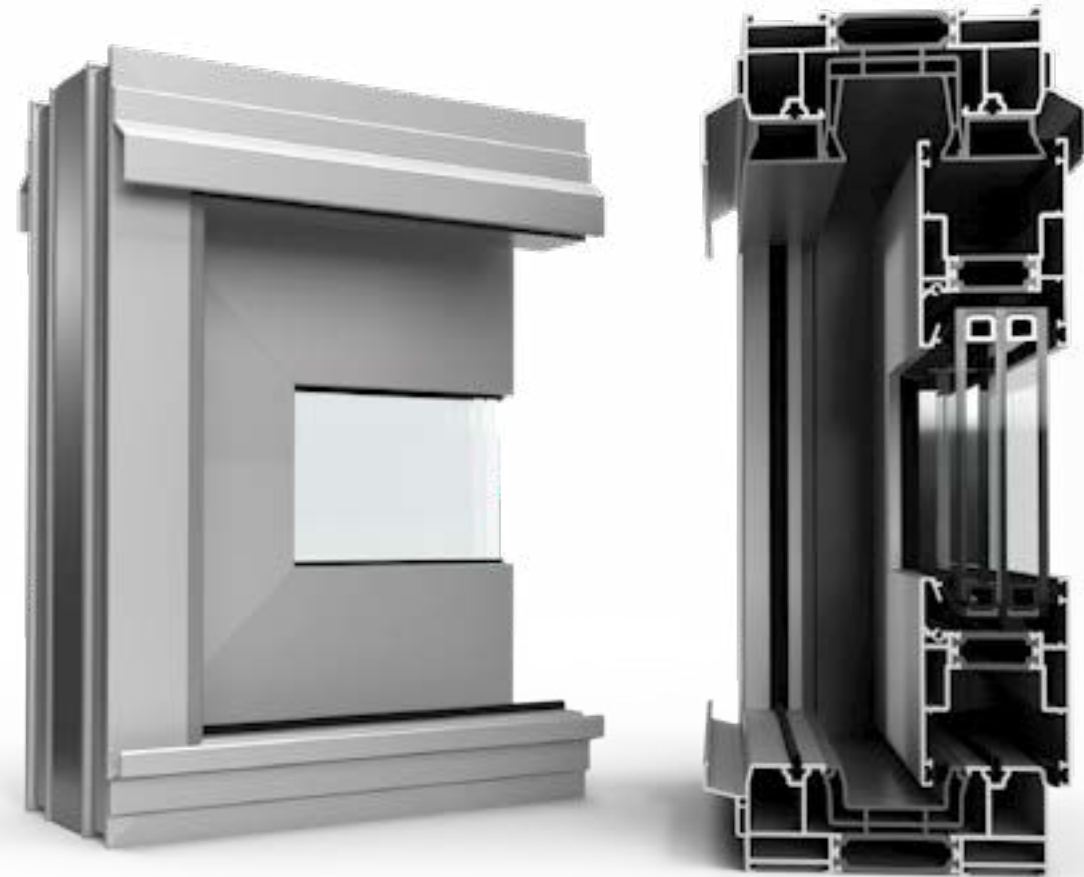
The MB-Slide system creates enormous design possibilities and, at the same time, space arrangement opportunities. The maximum dimensions of the leaves are 2.6 x 1.8 m. Available in different variants: from 2 to 6 modules. They can be glazed with up to 24 mm wide glass packages. The structures based on the MB-Slide system also guarantee good technical parameters.

Thermal separators ensure adequate thermal insulation of aluminium profiles, and sliding gaskets as well as EPDM rebate and glass gaskets enable high tightness of the structure.

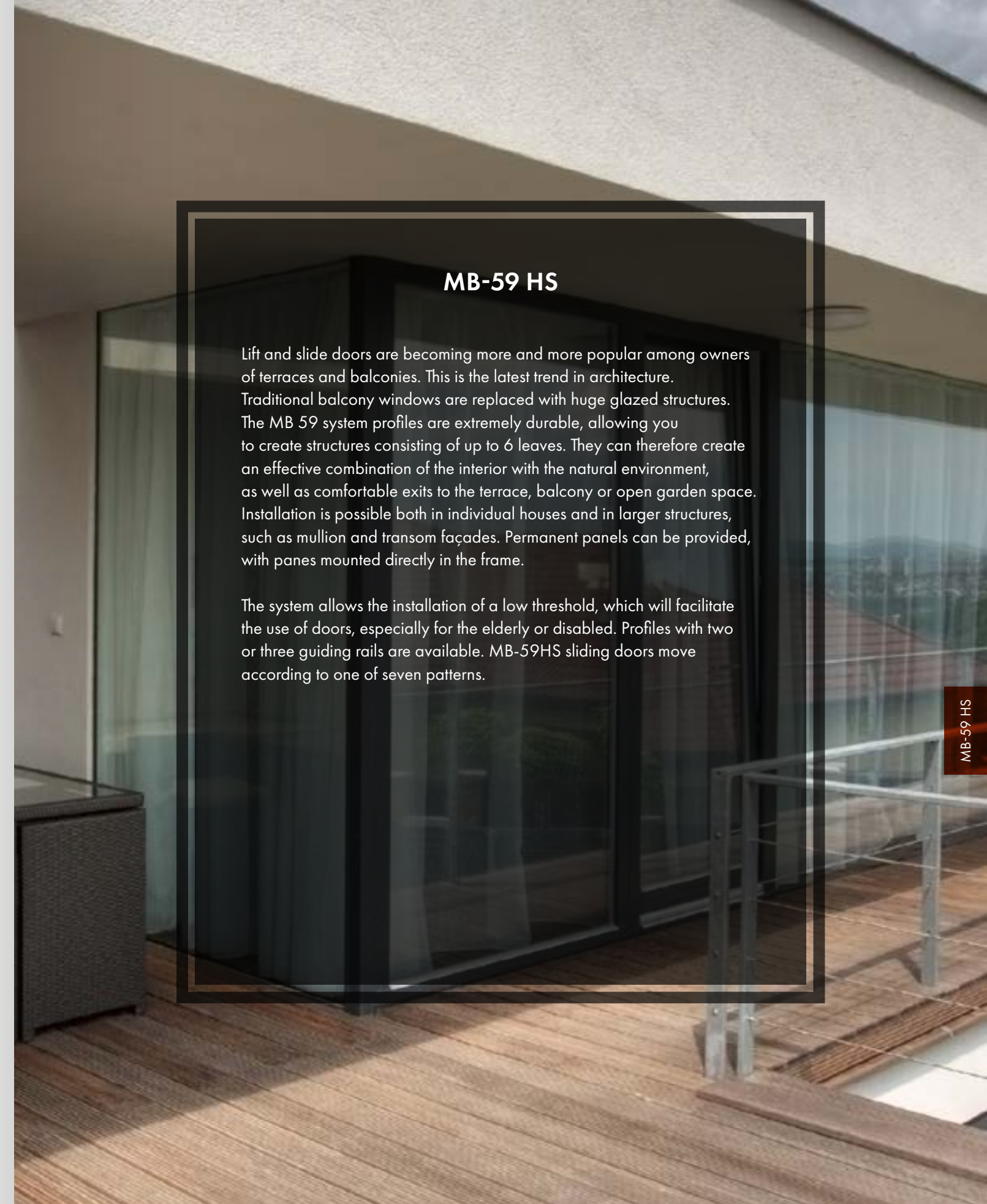
Installation depth of leaf profiles is 37 mm, for frames: 50 mm (two-track rails) and 97 mm (three-track rails). MB-Slide system sliding doors move according to one of seven different patterns.

MB-59 HS

HST LIFT AND SLIDE DOOR SYSTEM



| SPECIFICATIONS | MB-59HS ST / MB-59HS HI |
|--|--|
| Frame depth | 120 mm (2-track prole), 199 mm (3-track prole) |
| Leaf depth | 59 mm |
| Glazing thicknessA | to 42 mm |
| MIN. VISIBLE PROFILE WIDTH | |
| Frame | 44 mm |
| Leaf | 83,5 – 94,5 mm |
| MAX STRUCTURE DIMENSIONS AND WEIGHT | |
| Max. dimensions of leaf | 2800 x 3000 mm |
| Max. weight of the leaf | 300 kg |



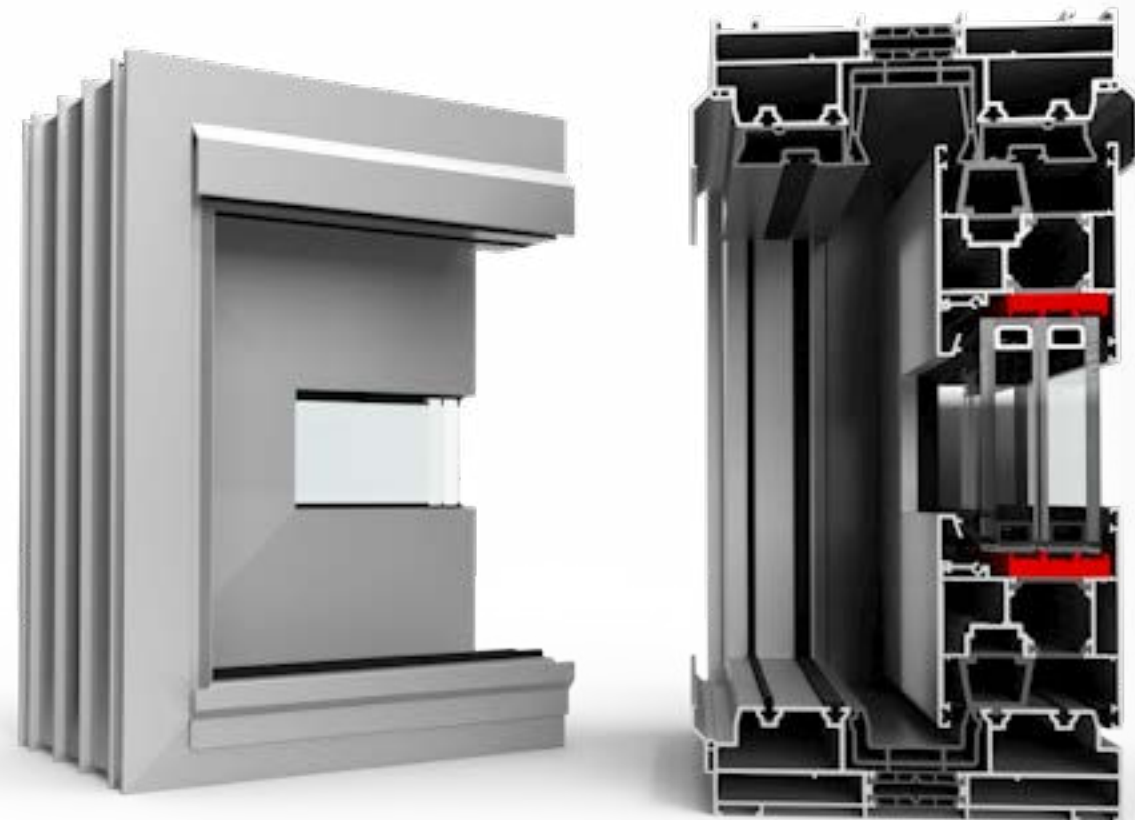
MB-59 HS

Lift and slide doors are becoming more and more popular among owners of terraces and balconies. This is the latest trend in architecture. Traditional balcony windows are replaced with huge glazed structures. The MB 59 system profiles are extremely durable, allowing you to create structures consisting of up to 6 leaves. They can therefore create an effective combination of the interior with the natural environment, as well as comfortable exits to the terrace, balcony or open garden space. Installation is possible both in individual houses and in larger structures, such as mullion and transom façades. Permanent panels can be provided, with panes mounted directly in the frame.

The system allows the installation of a low threshold, which will facilitate the use of doors, especially for the elderly or disabled. Profiles with two or three guiding rails are available. MB-59HS sliding doors move according to one of seven patterns.

MB-77 HS

HST LIFT AND SLIDE DOOR SYSTEM

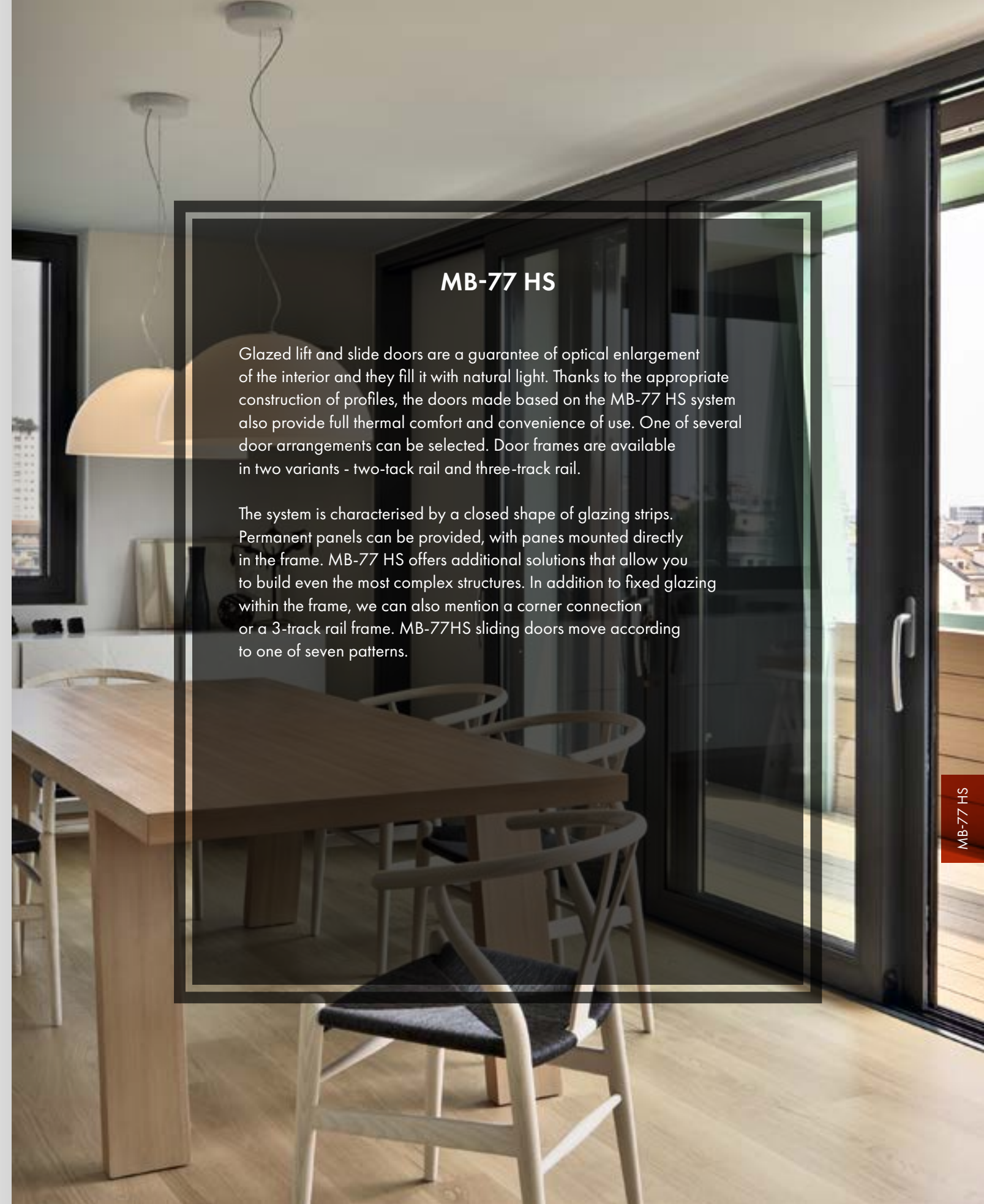


MB-77 HS

Glazed lift and slide doors are a guarantee of optical enlargement of the interior and they fill it with natural light. Thanks to the appropriate construction of profiles, the doors made based on the MB-77 HS system also provide full thermal comfort and convenience of use. One of several door arrangements can be selected. Door frames are available in two variants - two-track rail and three-track rail.

The system is characterised by a closed shape of glazing strips. Permanent panels can be provided, with panes mounted directly in the frame. MB-77 HS offers additional solutions that allow you to build even the most complex structures. In addition to fixed glazing within the frame, we can also mention a corner connection or a 3-track rail frame. MB-77HS sliding doors move according to one of seven patterns.

| SPECIFICATIONS | MB-77HS ST / MB-77HS HI |
|--|--|
| Frame depth | 174 mm (2-track prole) 271 mm (3-track prole) |
| Leaf depth | 77 mm |
| Glazing thickness | 13,5 – 58,5 mm |
| MIN. VISIBLE PROFILE WIDTH | |
| Frame | 48 mm |
| Leaf | 94,5 – 105,5 mm |
| MAX STRUCTURE DIMENSIONS AND WEIGHT | |
| Max. dimensions of leaf | 3200 x 3200 mm |
| Max. weight of the leaf | 400 kg |



MB-77 HS

MB-86 FOLD LINE

FOLDING DOOR SYSTEM

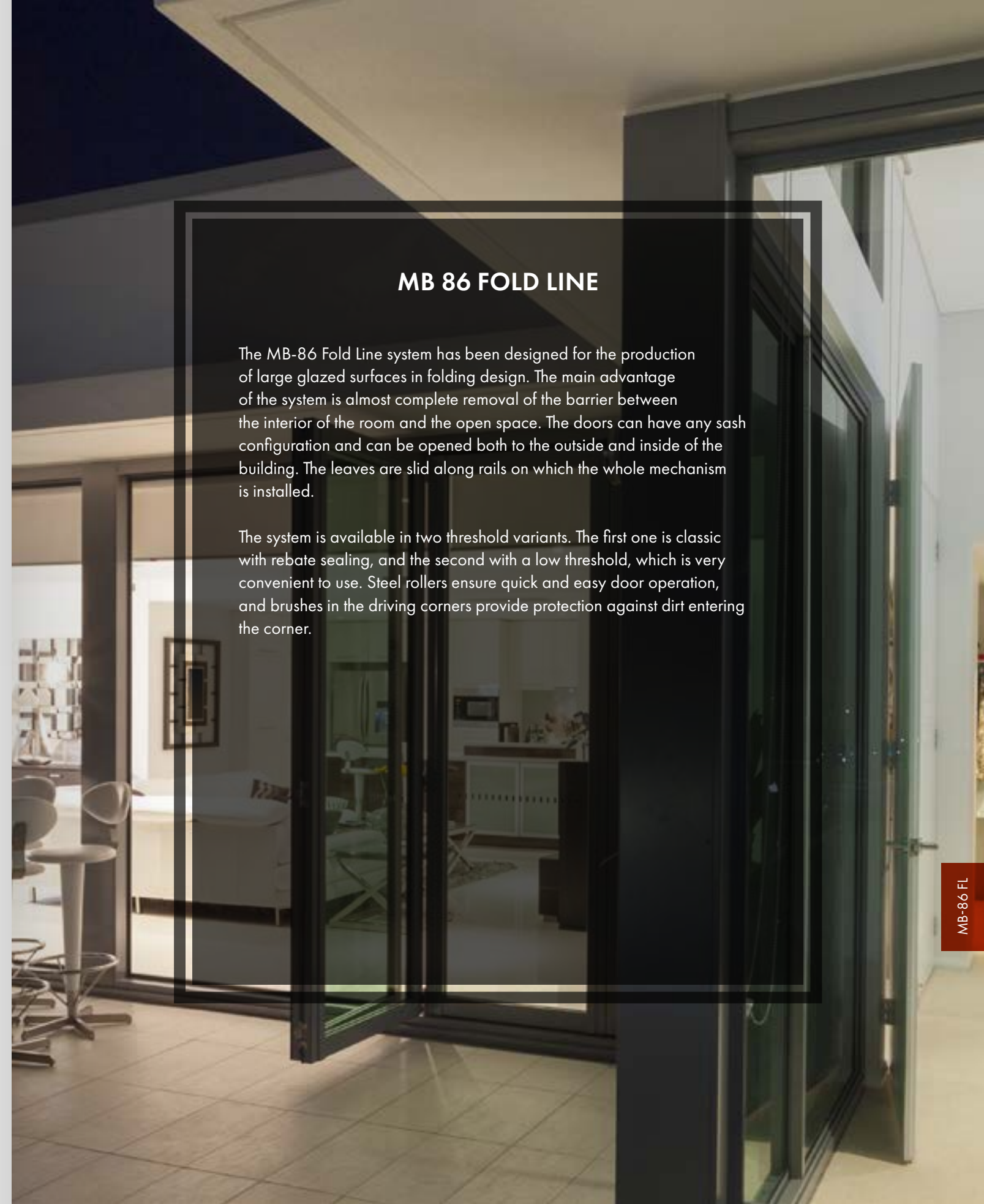


MB 86 FOLD LINE

The MB-86 Fold Line system has been designed for the production of large glazed surfaces in folding design. The main advantage of the system is almost complete removal of the barrier between the interior of the room and the open space. The doors can have any sash configuration and can be opened both to the outside and inside of the building. The leaves are slid along rails on which the whole mechanism is installed.

The system is available in two threshold variants. The first one is classic with rebate sealing, and the second with a low threshold, which is very convenient to use. Steel rollers ensure quick and easy door operation, and brushes in the driving corners provide protection against dirt entering the corner.

| SPECIFICATIONS | MB-86 Fold Line |
|--|-----------------|
| Frame depth | 87 mm |
| Leaf depth | 77 mm |
| Glazing thickness | 14 - 61,5 mm |
| MIN. VISIBLE PROFILE WIDTH | |
| Frame | 54 mm |
| Leaf | 68,5 mm |
| MAX STRUCTURE DIMENSIONS AND WEIGHT | |
| Max. dimensions of leaf | 1000 x 2700 mm |
| Max. weight of the leaf | 100 kg |



ALIPLAST SYSTEMS

ECOFUTURAL

34

SUPERIAL

36

GENESIS

38

PANORAMA

40



aliplast

MODERNSLIDE

42

VISOGLIDE

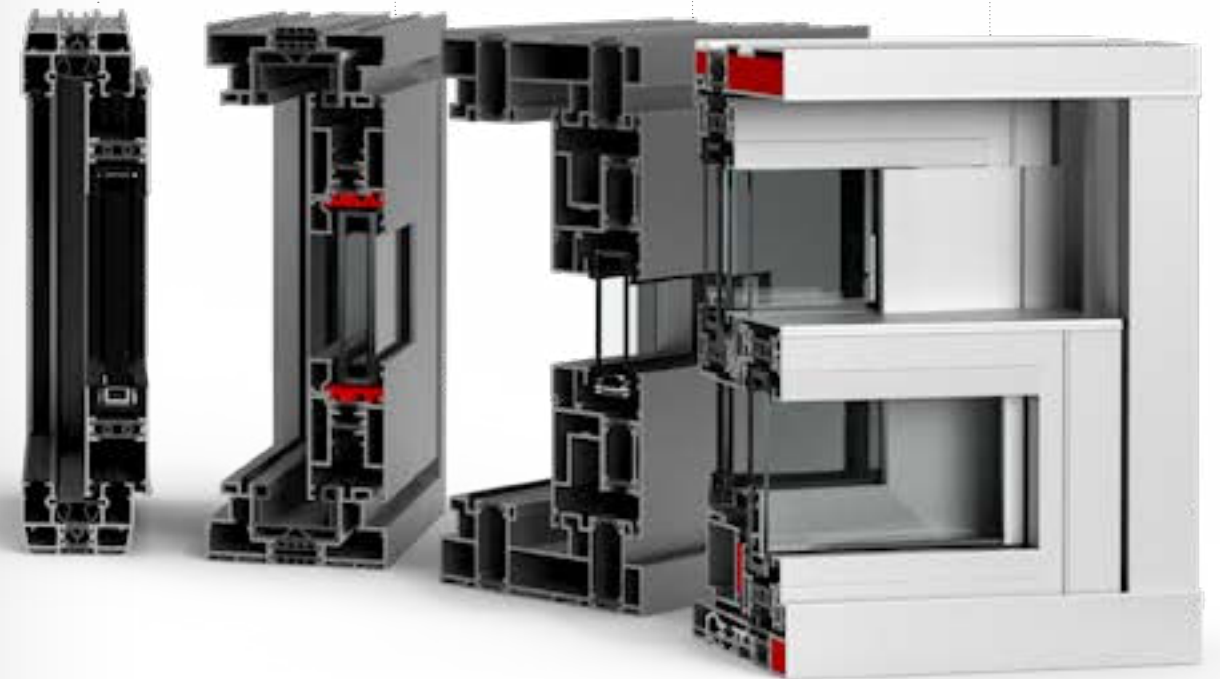
44

ULTRAGLIDE

46

VS 600

48



ECOFUTURAL

WINDOW AND DOOR SYSTEMS



| SPECIFICATIONS | ECOFUTURAL |
|--|---|
| Frame depth | 65 mm |
| Leaf depth | 74 mm |
| Glazing thickness | 4 - 50 mm (permanent window and door) 12 - 59 mm (active window) |
| MIN. VISIBLE PROFILE WIDTH | |
| Frame (door / window) | 61,5 mm (door) / 55 mm; 65 mm (window) |
| Leaf (door / window) | 88,5 mm (door); from 40 mm (window) |
| MAX STRUCTURE DIMENSIONS AND WEIGHT | |
| Max. dimensions of door leaf | 1400 x 2600 mm |
| Max. weight of the leaf (door / window) | 150 kg / to 120 kg |



ECOFUTURAL

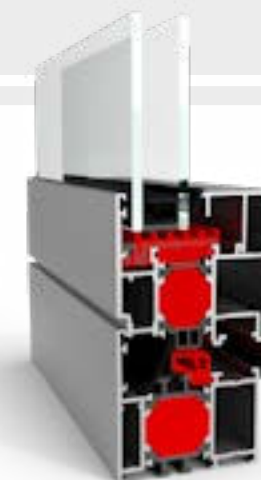
Stable, heat preserving, three-chamber window and door system. Ecofutura allows the construction of shop windows, single or double-leaf windows, tilt-and-turn windows, inward opening windows, as well as single or double-leaf doors. The system can be applied to design and produce Monoblock windows as well.

Ecofutura is used in places where increased standards for thermal insulation are in force. The system is available in two versions: Ecofutura i (insulated along the circumference where the pane contacts the profile) and Ecofutura i+ (insulated along the circumference where the pane contacts the profile and in the space between the thermal separators).

Alternative variants of Ecofutura profiles



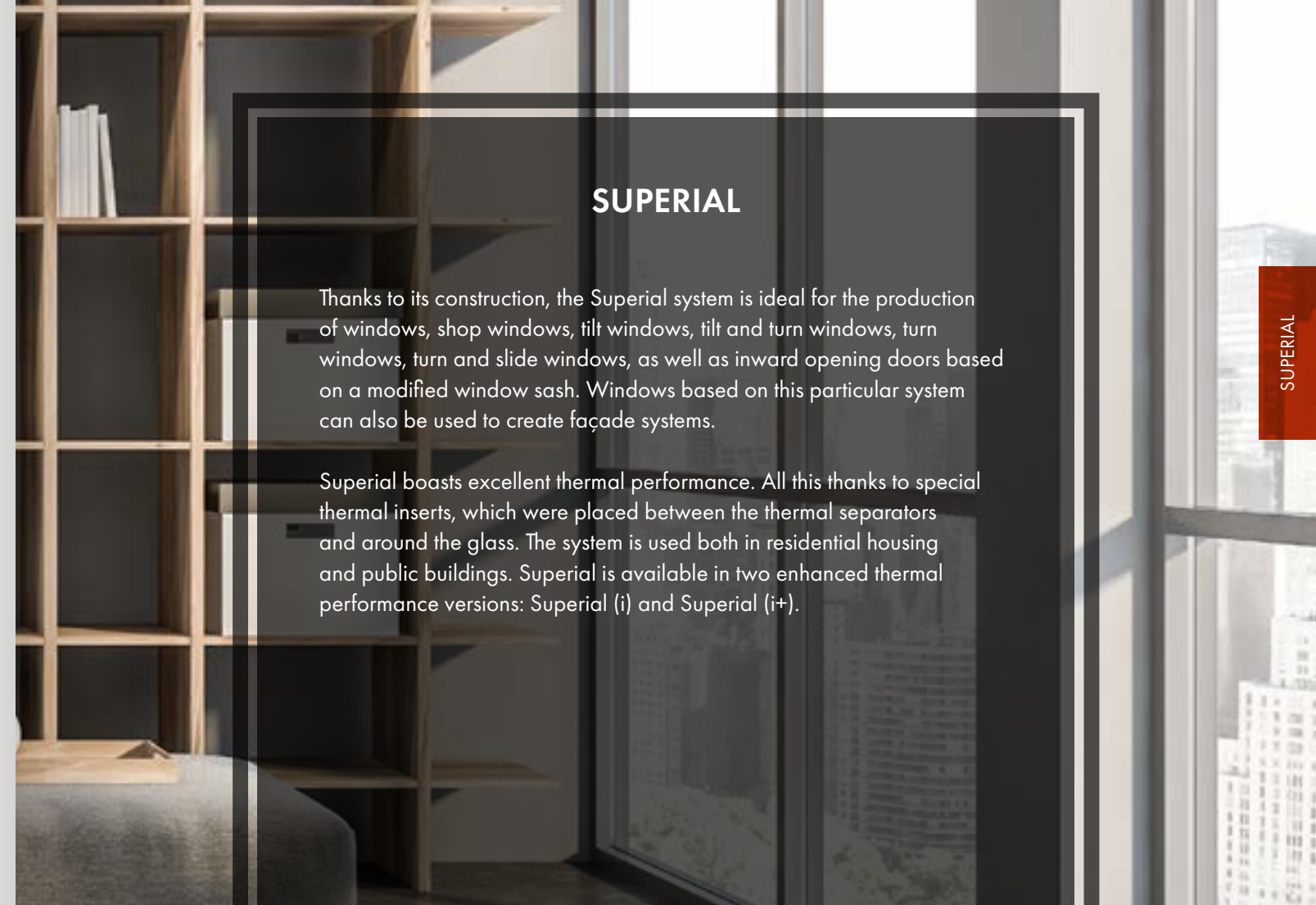
ECOFUTURAL i



ECOFUTURAL i+

SUPERIAL

WINDOW AND DOOR SYSTEMS



SUPERIAL

Thanks to its construction, the Superial system is ideal for the production of windows, shop windows, tilt windows, tilt and turn windows, turn windows, turn and slide windows, as well as inward opening doors based on a modified window sash. Windows based on this particular system can also be used to create façade systems.

Superial boasts excellent thermal performance. All this thanks to special thermal inserts, which were placed between the thermal separators and around the glass. The system is used both in residential housing and public buildings. Superial is available in two enhanced thermal performance versions: Superial (i) and Superial (i+).

SUPERIAL

Alternative variants of Superial profiles



SUPERIAL i



SUPERIAL i+

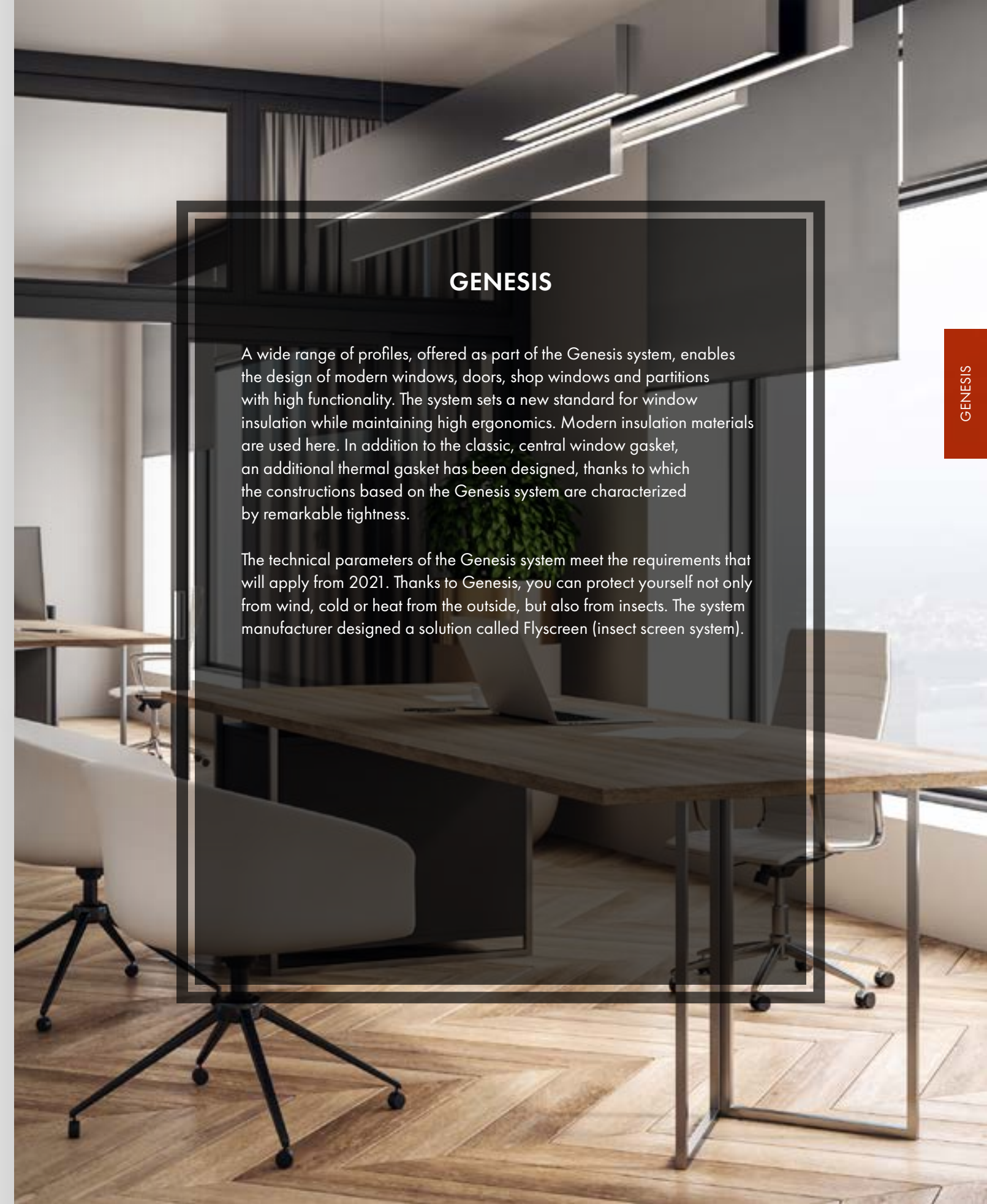
| SPECIFICATIONS | SUPERIAL |
|--|-----------------------------|
| Frame depth | 75 mm |
| Leaf depth | 84 mm / 75 mm |
| Glazing thickness | 14 - 61 mm |
| MIN. VISIBLE PROFILE WIDTH | |
| Frame (door / window) | 61,5 mm (door) / from 55 mm |
| Leaf (door / window) | 88,5 mm (door); from 40 mm |
| MAX STRUCTURE DIMENSIONS AND WEIGHT | |
| Max. dimensions of door leaf | 1600 x 2600 mm |
| Max. weight of the leaf (door / window) | 200 kg / 150 kg |

GENESIS

WINDOW AND DOOR SYSTEMS



| SPECIFICATIONS | GENESIS |
|--|----------------|
| Frame depth | 75 mm |
| Leaf depth | 84 mm |
| Glazing thickness | 9 - 65 mm |
| MIN. VISIBLE PROFILE WIDTH | |
| Frame (door / window) | from 55 mm |
| Leaf (door / window) | from 42,5 mm |
| MAX STRUCTURE DIMENSIONS AND WEIGHT | |
| Max. dimensions of door leaf | 1600 x 2600 mm |
| Max. weight of the leaf | 160 kg |



GENESIS

A wide range of profiles, offered as part of the Genesis system, enables the design of modern windows, doors, shop windows and partitions with high functionality. The system sets a new standard for window insulation while maintaining high ergonomics. Modern insulation materials are used here. In addition to the classic, central window gasket, an additional thermal gasket has been designed, thanks to which the constructions based on the Genesis system are characterized by remarkable tightness.

The technical parameters of the Genesis system meet the requirements that will apply from 2021. Thanks to Genesis, you can protect yourself not only from wind, cold or heat from the outside, but also from insects. The system manufacturer designed a solution called Flyscreen (insect screen system).

PANORAMA

FOLDING DOOR SYSTEM



| SPECIFICATIONS | PANORAMA |
|--|----------------|
| Frame depth | 74,5 mm |
| Leaf depth | 74,5 mm |
| Glazing thickness | 16 - 50 mm |
| MIN. VISIBLE PROFILE WIDTH | |
| Frame | 57,5 mm |
| Leaf | 73 mm |
| MAX STRUCTURE DIMENSIONS AND WEIGHT | |
| Max. dimensions of door leaf | 1200 x 2500 mm |
| Max. weight of the leaf | to 100 kg |



PANORAMA

A technologically advanced system of sliding accordion terrace doors. 2 to 8 leaves can be installed in the system. The leaves are slid along rails on which the whole mechanism is installed. Thanks to specially designed steel rollers, the door enables smooth and easy opening and closing. An innovative solution has been applied – the door does not have moving posts. Instead, the leaves are connected with system hardware. This solution makes the structure lighter, looking more modern and allows for more space to be obtained.

The Panorama system is available in two threshold versions - a continuation of the frame used on the top and sides or a low threshold embedded in the floor. The use of high-quality EPDM gaskets and brushes effectively protect against harmful atmospheric factors.

MODERNSLIDE

HST LIFT AND SLIDE DOOR SYSTEM



MODERNSLIDE

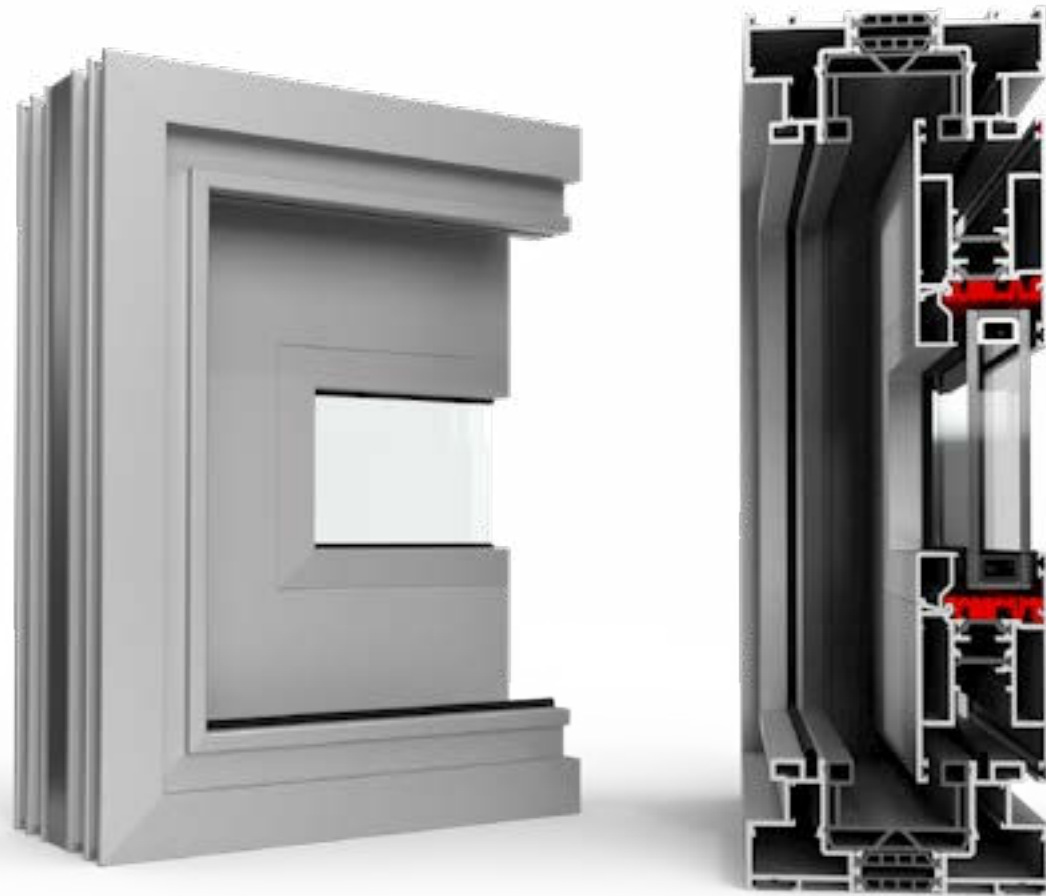
This is a system with increased thermal insulation, designed for the design of sliding structures. The available solutions allow the design of two, three and even four-track rail structures, which provides flexibility in the design of the building façade. The maximum structural leaf weight is 250 kg. While seemingly heavy, the system retains a light-weight, streamlined and modern look.

Modernslide can be a basis for Monoblock solutions. Monoblock sliding structures are installed within a thermal insulation layer inside rooms. Galandage is unique and very attractive solution — you will not find it in any commercially available sliding door system. The sliding leaves can be almost completely concealed in the building wall when open. This maximizes the clear width of the doorway.

| SPECIFICATIONS | MODERNSLIDE |
|--|------------------|
| Frame depth | 73 - 196 mm |
| Leaf depth | 44 mm |
| Glazing thickness | 24, 28 lub 32 mm |
| MIN. VISIBLE PROFILE WIDTH | |
| Frame | 47 mm |
| Leaf | 71,2 mm |
| MAX STRUCTURE DIMENSIONS AND WEIGHT | |
| Max. dimensions of door leaf | 1500 x 2400 mm |
| Max. weight of the leaf | 250 kg |

VISOGLIDE

HST LIFT AND SLIDE DOOR SYSTEM



| SPECIFICATIONS | VISOGLIDE |
|--|--------------------------|
| Frame depth | 117,7 / 125,4 / 141,6 mm |
| Leaf depth | 51 mm |
| Glazing thickness | 6 - 36 mm |
| MIN. VISIBLE PROFILE WIDTH | |
| Frame | 27,5 mm / 52 mm |
| Leaf | 90 mm |
| MAX STRUCTURE DIMENSIONS AND WEIGHT | |
| Max. dimensions of door leaf | 1700 x 2400 mm |
| Max. weight of the leaf | 250 kg |



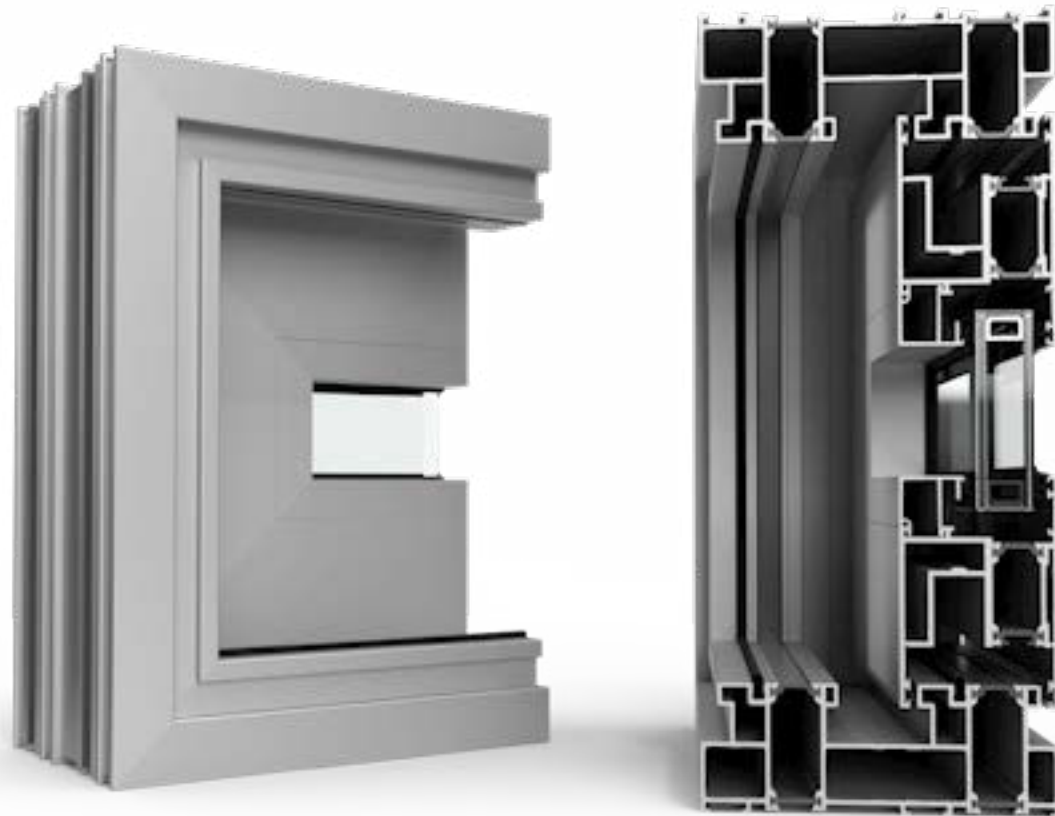
VISOGLIDE

This is a system consisting of three-chamber profiles with thermal insulation. The system is intended for the construction of sliding systems, lift-and-slide system (with a high or low threshold). Possible combinations include up to six elements on a two- or three-track rails. Particularly recommended as an entry into a terrace, balcony or garden.

The door stashes slide thanks to special carriages, which are located under the moving elements. This prevents the structure from overhanging. The door has a brush seal, as well as an extremely narrow, 34 mm wide, labyrinth post (in sliding and lift-and-slide leaves). A wide range of window sill profiles (with hidden drainage) and angle profiles are available.

ULTRAGLIDE

HST LIFT AND SLIDE DOOR SYSTEM



| SPECIFICATIONS | ULTRAGLIDE |
|--|-----------------|
| Frame depth | 153 - 239 mm |
| Leaf depth | 67 mm |
| Glazing thickness | 14 - 52 mm |
| MIN. VISIBLE PROFILE WIDTH | |
| Frame | 30 mm / 56,5 mm |
| Leaf | 100 mm |
| MAX STRUCTURE DIMENSIONS AND WEIGHT | |
| Max. dimensions of door leaf | 2800 x 3000 mm |
| Max. weight of the leaf | 400 kg |



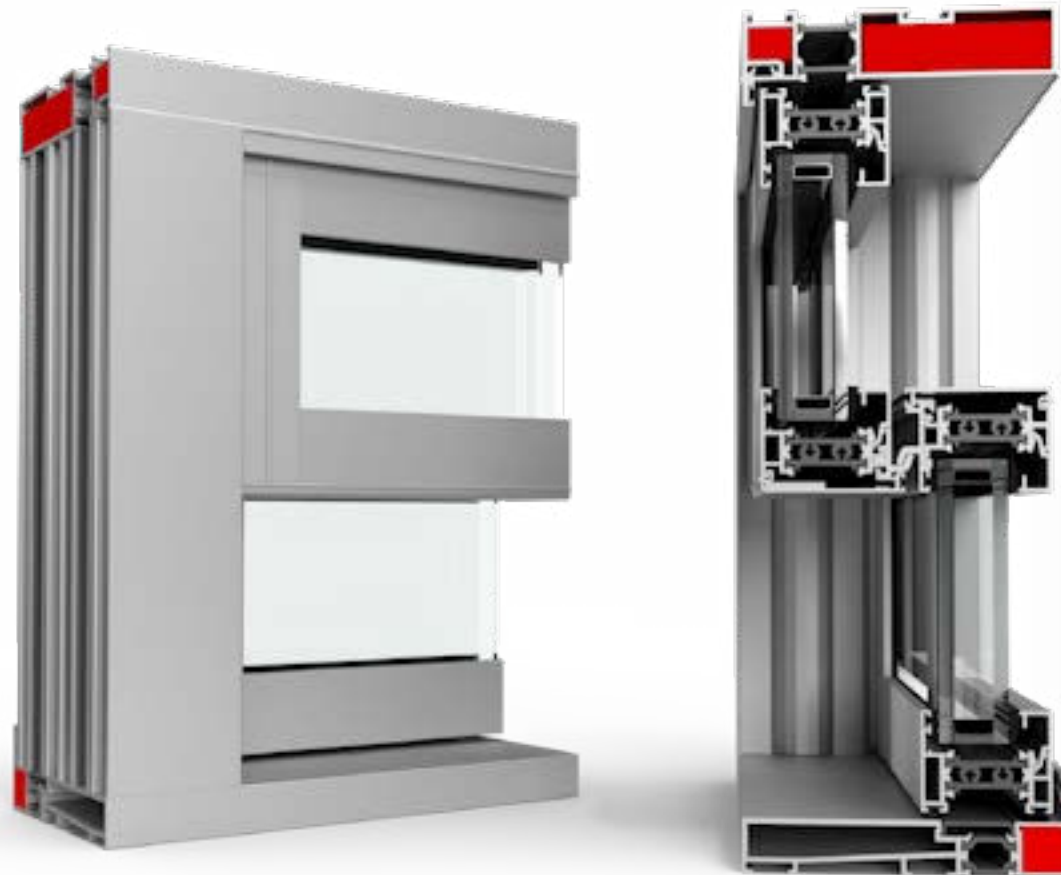
ULTRAGLIDE

The system is intended for the construction of lift-and-slide doors. Adapted to the latest requirements in the field of thermal insulation, aesthetics and safety. Two versions available - with low threshold and 90° angle solution. The system uses a fibreglass-enriched thermal spacer with the widths of 22 and 28 mm. Thermal and glazing inserts improve the thermal insulation of the cross-section.

The system allows for the design of structures with very large dimensions of active sashes. It allows for the production of large glazed areas, which provide excellent interior lighting and facilitates interior design, while maintaining the stability, functionality and lightness of the structure. It is possible to install single or double-chamber glazing.

VS 600

GUILLOTINE SYSTEM



| SPECIFICATIONS | VS 600 |
|--|----------------|
| Frame depth | 130,5 mm |
| Leaf depth | 52 mm |
| Glazing thickness | 24 - 28 mm |
| MIN. VISIBLE PROFILE WIDTH | |
| Frame | 22 mm |
| Leaf | 40,5 mm |
| MAX STRUCTURE DIMENSIONS AND WEIGHT | |
| Max. dimensions of door leaf | 1150 x 1500 mm |
| Max. weight of the leaf | 27 kg |



VS 600

This is a system for the construction of lift windows dedicated to the American and British markets. It has a dedicated hardware mechanism on springs, thanks to which the leaves can be moved up and down. The use of additional hardware enables leaf tilting for cleaning.

The VS 600 system allows you to design modern solutions for window constructions in many variants. It is used in the design of residential housing, public buildings (schools, hospitals), as well as for renovation. The assembly of the VS 600 is optimized by the outer frame with square cross-section and sash connections that require minimal machining to facilitate installation.

DECEUNINCK SYSTEMS

deceuninck

DECALU 88 STANDARD

52



DECALU 94 RETRO

54



DECALU 110 STEEL

56



DECALU 88 HIDDEN

58



DECALU 88 DOORS

60



DECALU 88 STANDARD

WINDOW AND DOOR SYSTEMS



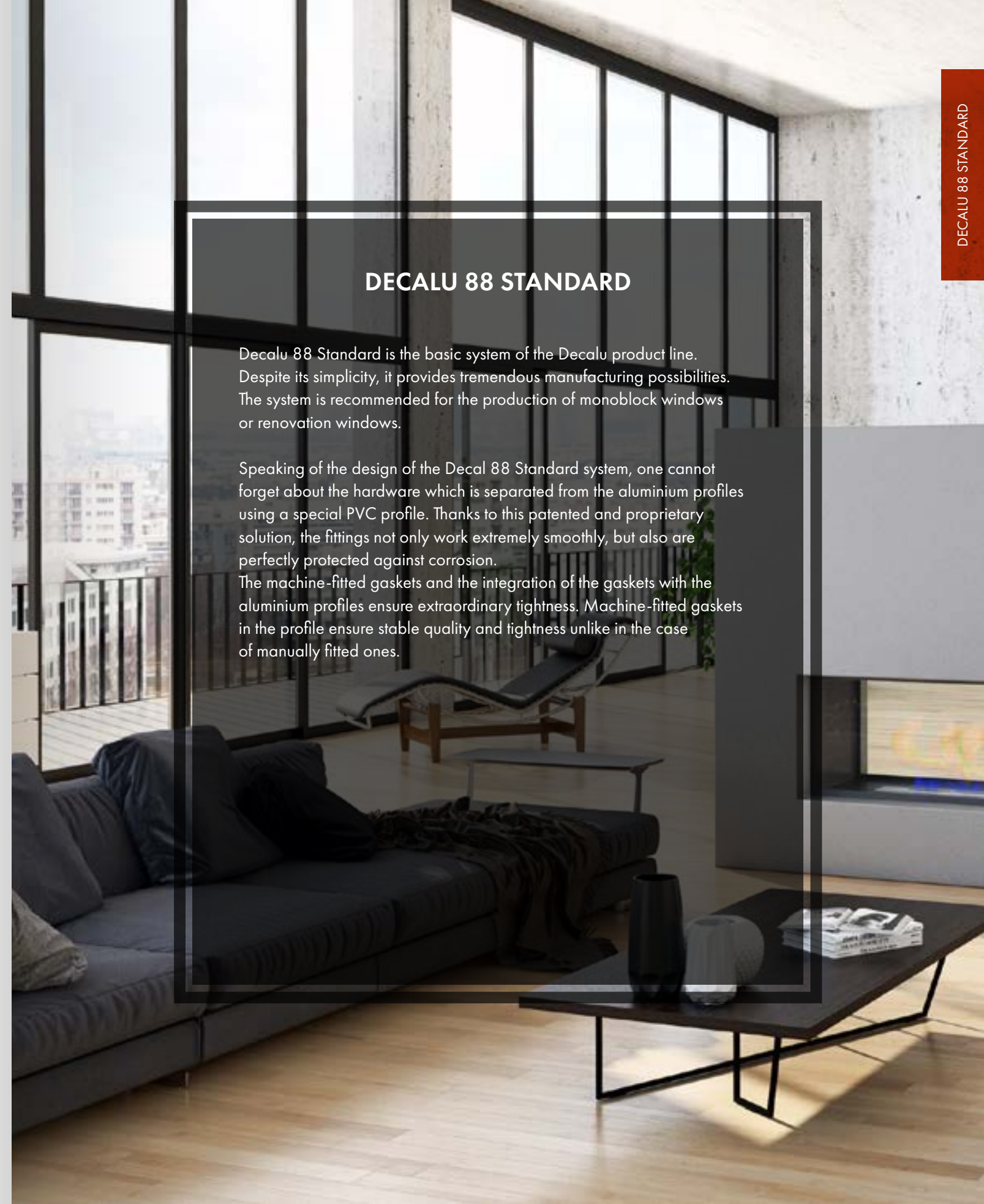
DECALU 88 STANDARD

Decalu 88 Standard is the basic system of the Decalu product line. Despite its simplicity, it provides tremendous manufacturing possibilities. The system is recommended for the production of monoblock windows or renovation windows.

Speaking of the design of the Decalu 88 Standard system, one cannot forget about the hardware which is separated from the aluminium profiles using a special PVC profile. Thanks to this patented and proprietary solution, the fittings not only work extremely smoothly, but also are perfectly protected against corrosion.

The machine-fitted gaskets and the integration of the gaskets with the aluminium profiles ensure extraordinary tightness. Machine-fitted gaskets in the profile ensure stable quality and tightness unlike in the case of manually fitted ones.

| SPECIFICATIONS | Decalu 88 Standard |
|--|--------------------|
| Frame depth (door / window) | 88 mm |
| Leaf depth (door / window) | 96 mm / 97 mm |
| Glazing thickness (permanent window and door / active window) | to 71 mm |
| MIN. VISIBLE PROFILE WIDTH | |
| Frame (door / window) | 43 mm / 75,7 mm |
| Leaf (door / window) | 31 mm / 71 mm |
| MAX STRUCTURE DIMENSIONS AND WEIGHT | |
| Max. dimensions of tilt-and-turn window | 2650 x 1200 mm |
| Max. dimensions of door leaf | 1300 x 2500 mm |
| Max. weight of the leaf (door / window) | 100/120 kg; 160 kg |



DECALU 94 RETRO

WINDOW SYSTEMS

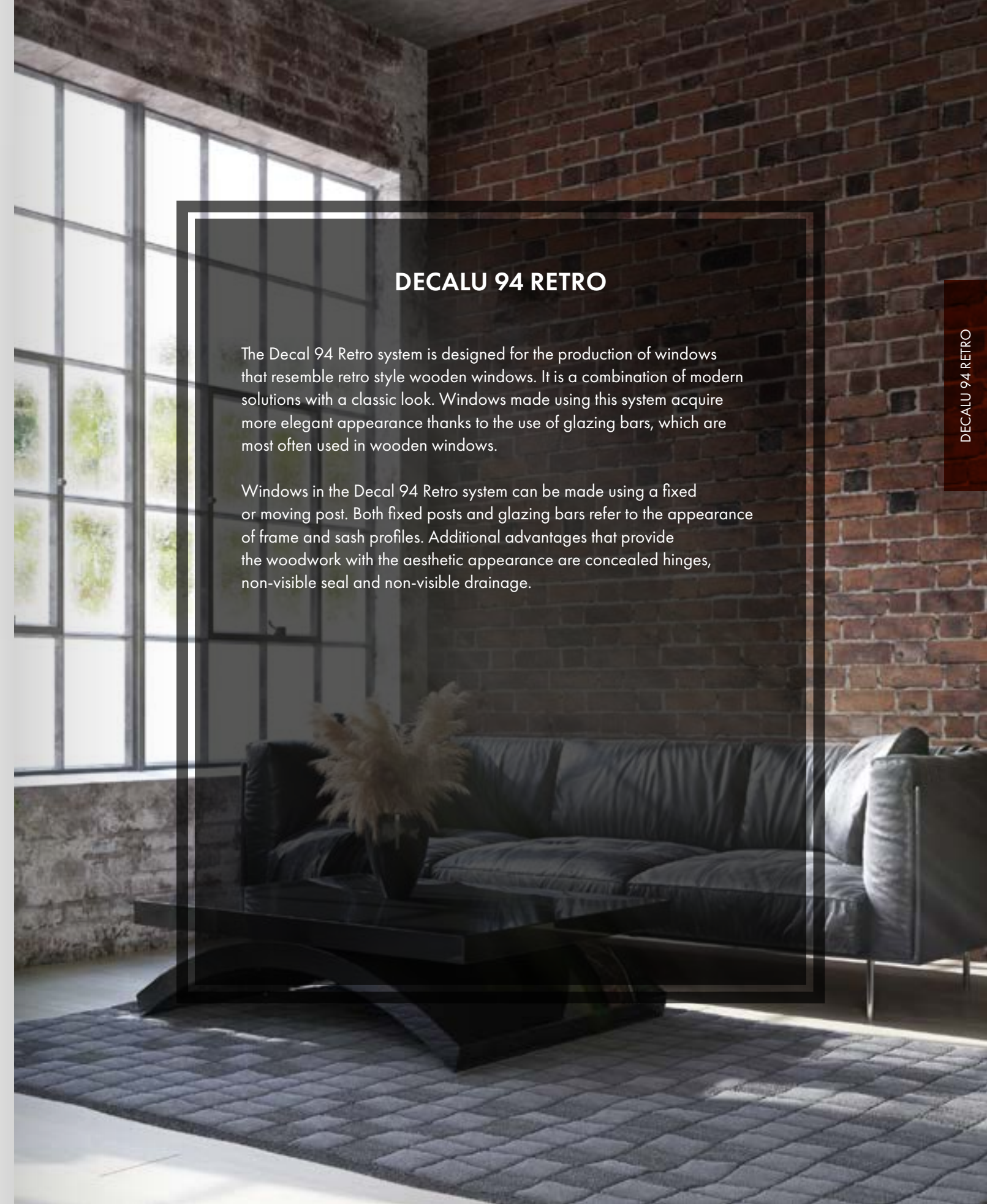


DECALU 94 RETRO

The Decal 94 Retro system is designed for the production of windows that resemble retro style wooden windows. It is a combination of modern solutions with a classic look. Windows made using this system acquire more elegant appearance thanks to the use of glazing bars, which are most often used in wooden windows.

Windows in the Decal 94 Retro system can be made using a fixed or moving post. Both fixed posts and glazing bars refer to the appearance of frame and sash profiles. Additional advantages that provide the woodwork with the aesthetic appearance are concealed hinges, non-visible seal and non-visible drainage.

| SPECIFICATIONS | Decalu 94 Retro |
|--|-----------------|
| Frame depth (window) | 94 mm |
| Leaf depth (window) | 103 mm |
| Glazing thickness | to 71 mm |
| MIN. VISIBLE PROFILE WIDTH | |
| Frame (window) | 43 mm |
| Leaf (window) | 31 mm |
| MAX STRUCTURE DIMENSIONS AND WEIGHT | |
| Max. dimensions of tilt-and-turn window | 2650 x 1200 mm |
| Max. weight of the leaf (window) | 100/120 kg |



DECALU 110 STEEL

WINDOW SYSTEMS

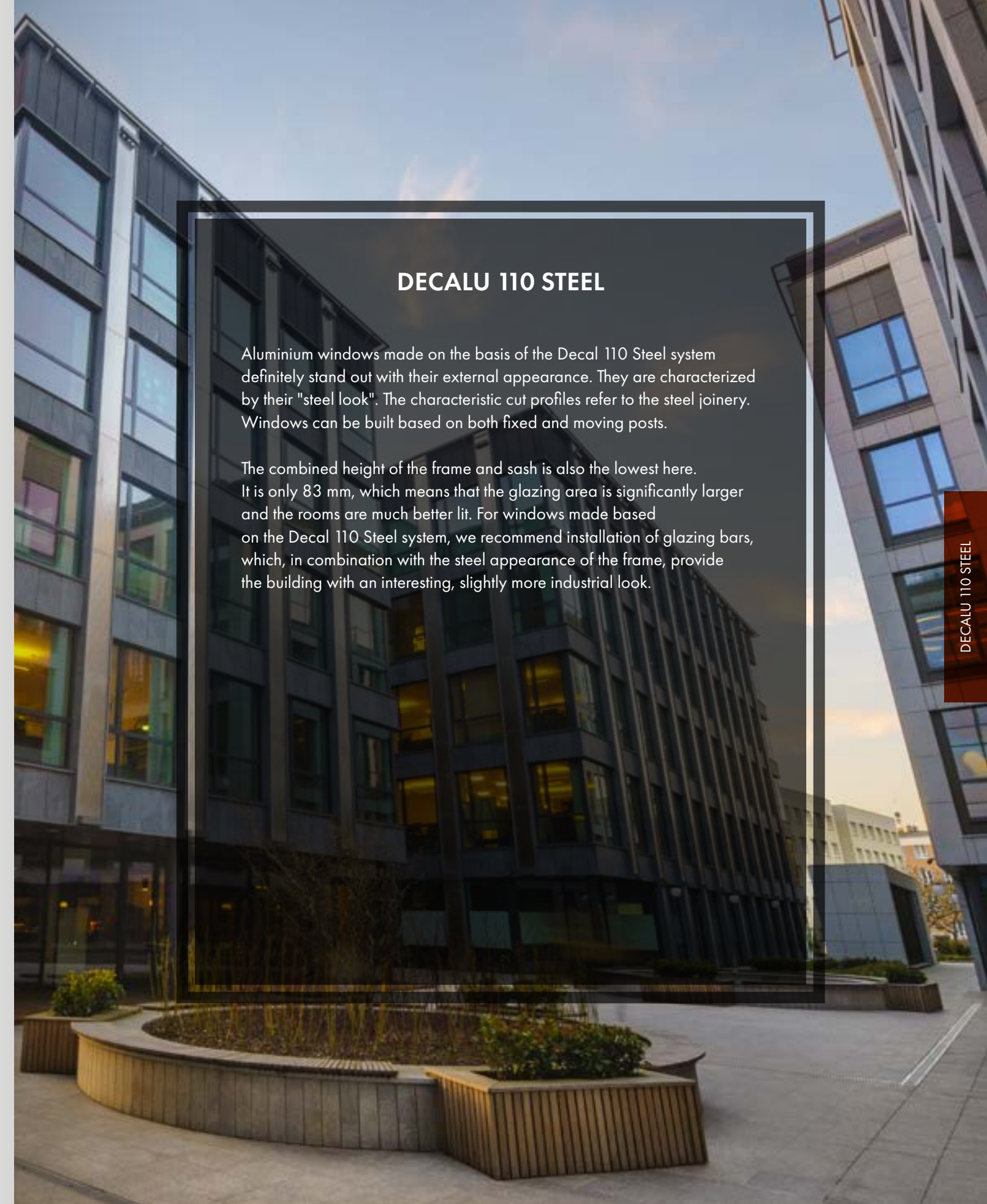


DECALU 110 STEEL

Aluminium windows made on the basis of the Decal 110 Steel system definitely stand out with their external appearance. They are characterized by their "steel look". The characteristic cut profiles refer to the steel joinery. Windows can be built based on both fixed and moving posts.

The combined height of the frame and sash is also the lowest here. It is only 83 mm, which means that the glazing area is significantly larger and the rooms are much better lit. For windows made based on the Decal 110 Steel system, we recommend installation of glazing bars, which, in combination with the steel appearance of the frame, provide the building with an interesting, slightly more industrial look.

| SPECIFICATIONS | Decalu 110 Steel |
|--|------------------|
| Frame depth (window) | 110 mm |
| Leaf depth (window) | 103,5 mm |
| Glazing thickness | to 71 mm |
| MIN. VISIBLE PROFILE WIDTH | |
| Frame (window) | 43 mm |
| MAX STRUCTURE DIMENSIONS AND WEIGHT | |
| Max. dimensions of tilt-and-turn window | 2650 x 1200 mm |
| Max. weight of the leaf (window) | 100/120 kg |



DECALU 88 HIDDEN

WINDOW SYSTEMS



DECALU 88 HIDDEN

The system uses patented solutions with the so-called "concealed sash". The connections of the wing-fixed glazing, sash-wing, fixed-glazing quarters are designed in the same external plane, i.e. fixed and openable (with sash) quarters in this solution have the same appearance.

The appearance of windows made based on the Decal 88 Hidden system is appreciated by architects. It looks especially good in office buildings, but also works well in residential construction. Decal 88 Hidden windows look very interesting in buildings with external vertical and horizontal rustication or if they are mounted in rectangular or square external prefabricated panels.

| SPECIFICATIONS | Decalu 88 Hidden |
|--|-------------------|
| Frame depth (window) | 88 mm |
| Leaf depth (window) | 88 mm |
| Glazing thickness | to 71 mm |
| MIN. VISIBLE PROFILE WIDTH | |
| Frame (window) | 81,5 mm |
| Leaf (window) | 43 mm (invisible) |
| MAX STRUCTURE DIMENSIONS AND WEIGHT | |
| Max. dimensions of tilt-and-turn window | 2650 x 1200 mm |
| Max. weight of the leaf (window) | 100/120 kg |



DECALU 88 DOORS

DOOR SYSTEMS



DECALU 88 DOORS

Energy-efficient and durable aluminium doors. Doors based on the Decalu 88 door system boast a low heat transfer coefficient.

The heat transfer coefficient, U, in 1200x2500 mm doors with triple glazing units is 0.9 W/m²K. The thermal insulating power can be improved by installing thicker IGUs. The maximum feasible IGU thickness is 62 mm.

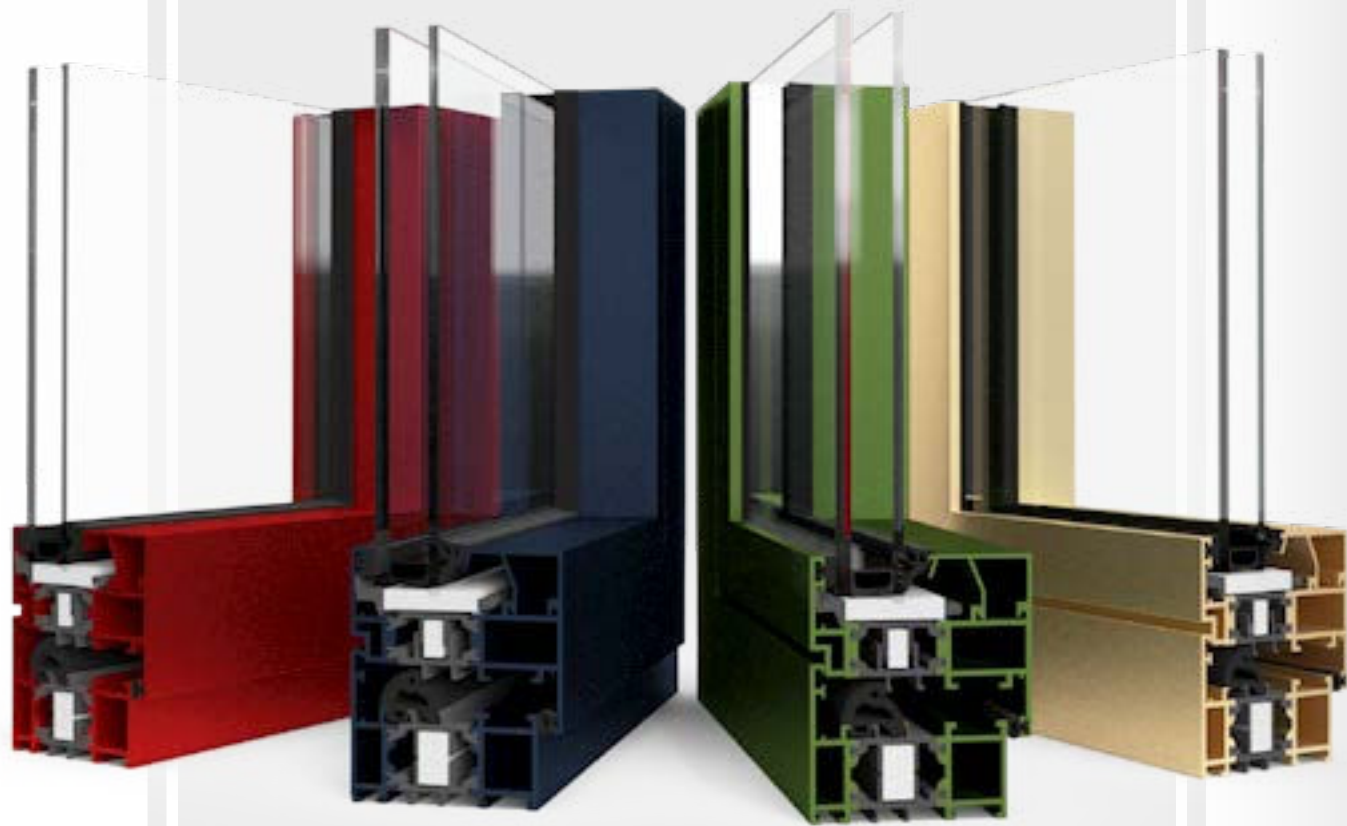
An innovative standard feature of the doors is an anti-bimetallic thermal strip. The thermal strip prevents deformation of the door even at high sunlight exposure. The Decalu 88 door system facilitates a very easy installation of roller hinges or surface hinges.

The door and frame installation depth is 88 mm, and the profiles feature gaskets integrated by an automatic production process.

| SPECIFICATIONS | Decalu 88 Doors |
|--|-----------------|
| Frame depth (door) | 88 mm |
| Leaf depth (door) | 88 mm |
| Glazing thickness | to 62 mm |
| MIN. VISIBLE PROFILE WIDTH | |
| Frame (door) | 52,7 mm |
| Leaf (door) | 77 mm |
| MAX STRUCTURE DIMENSIONS AND WEIGHT | |
| Max. dimensions of door leaf | 1400 x 2900 mm |
| Max. weight of the leaf | 160 kg |

COLOURS

Aluminium profiles create unlimited possibilities. To achieve the desired colour effect, the windows can be varnished using RAL K7 palette colours or wood-like coatings.





Despiro

DESPIRO

DESPIRO EXCLUSIVE DOORS

1

Aesthetic decorative panels available in a wide range of designs and RAL colours as well as wood-like veneers.

2

The solution available with or without a threshold.

3

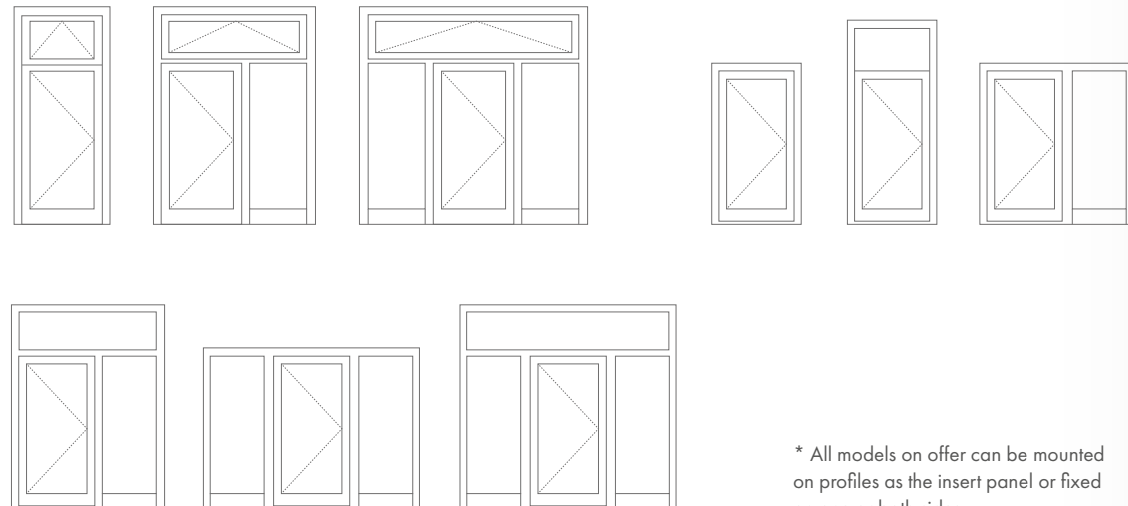
Seals that ensure high water and air tightness thereby provide the users with the comfort and savings.

4

Four structure variants: ST, SI, SI+ and AERO that enable to achieve very good thermal parameters.

5

Rigid and durable aluminium profiles that enable to produce doors of large sizes.



* All models on offer can be mounted on profiles as the insert panel or fixed on one or both sides.

ALUMINUM DOORS DESPIRO

Our elegant collection of Despiro doors is an attractive offer for the most demanding customers that value modernity in both technological and aesthetic aspects. The combination of beauty and durability in a single joinery product that cannot be missed.

Aesthetics and design

Our doors are distinguished by the door leaves that are hidden behind decorative panels. This technology lets us achieve the effect of unified surface due to the use of special profiles covered with aluminium panels. The doors have been designed in order to achieve the same effect on both sides - outside and in the inside. Concealed hinges provide an effect of cohesion and visual harmony and enhance the aesthetic features of the doors.

Tightness and insulation

Due to the fact that the system MB-86 is the supporting structure, we are able to offer light, rigid and durable aluminium profiles available in the four structure versions (ST, SI, SI+ and AERO) and in the three types of bottom sealing. The doors are distinguished by the very high water and air tightness as well as excellent thermal and acoustic insulation. This has a real impact on both the comfort inside the building and the costs of their using.



○ DP 01

- Pull DP 60.1600,
- Front glass: VSG 33.1 thermofloat,
- Glazing (centre) sandblasted float with translucent stripes,
- Rear glass: thermofloat with a black warm edge spacer,
- Alu-Inox application put on both sides,
- RAL 9016 white gloss,

○ DP 02

- Pull DP 60.1800,
- Front glass: VSG 33.1 thermofloat,
- Glazing (centre) sandblasted float with translucent stripes,
- Rear glass: thermofloat with a black warm edge spacer,
- Flush Alu-Inox inlay on both sides,
- RAL 7016 grey anthracite matt,

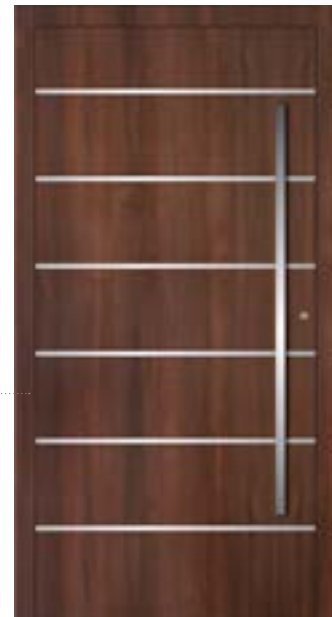


○ DP 03

- Pull DP 60.1000,
- Front glass: VSG 33.1 thermofloat,
- Glazing (centre) sandblasted float,
- Rear glass: thermofloat with a black warm edge spacer,
- Alu-Inox application put on both sides,
- RAL 7016 grey anthracite matt,

○ DP 04

- Pull DP 60.1400,
- Flush Alu-Inox inlay on both sides,
- Mahogany/a surcharge for wood-like colours,



○ DP 05

- Pull DP 60.1600,
- Milling on both sides,
- RAL 7016 grey anthracite matt,

○ DP 06

- Pull DP 60.1000,
- Front glass: VSG 33.1 thermofloat,
- Glazing (centre) sandblasted float with translucent stripes,
- Rear glass: thermofloat with a black warm edge spacer,
- Milling on both sides,
- RAL 7001 matt,



○ DP 07

- Pull DP 40.1400,
- Front glass: VSG 33.1 thermofloat,
- Glazing (centre) sandblasted glass with a translucent frame,
- Rear glass: thermofloat with a black warm edge spacer,
- Milling on both sides,
- RAL 3004 maroon matt,

○ DP 08

- Pull DP 60.800,
- Front glass: VSG 33.1 thermofloat,
- Glazing (centre) sandblasted glass with a translucent frame,
- Rear glass: thermofloat with a black warm edge spacer,
- RAL 9016 white gloss,





○ DP 09

- Pull DP 60.1600
- Front glass: VSG 33.1 thermofloat
- Glazing (centre) sandblasted glass with a translucent frame
- Rear glass: thermofloat with a black warm edge spacer
- Flush Alu-Inox inlay on both sides
- RAL 7016 grey anthracite matt/WENGE/ a surcharge for wood-like colours

○ DP 10

- Pull DP 60.1800,
- RAL 9006 aluminium silver matt,



○ DP 11

- Pull DP 60.1800,
- Front glass: VSG 33.1 thermofloat,
- Glazing (centre) sandblasted float with translucent stripes,
- Rear glass: thermofloat with a black warm edge spacer,
- Alu-Inox application put on both sides,
- RAL 9007 grey matt,

○ DP 12

- Pull DP 50.1200
- Front glass: VSG 33.1 thermofloat
- Glazing (centre) sandblasted glass with a translucent frame
- Rear glass: thermofloat with a black warm edge spacer
- RAL 3004 maroon matt/RAL 9007 grey matt



○ DP 13

- Pull DP 200.1600,
- Front glass: VSG 33.1 thermofloat,
- Glazing (centre) sandblasted glass,
- Rear glass: thermofloat with a black warm edge spacer,
- Alu-Inox application put on both sides,
- RAL 7016 grey anthracite matt,

○ DP 14

- Pull DP 60.1600,
- Front glass: VSG 33.1 thermofloat,
- Glazing (centre) sandblasted float with translucent stripes and a black frame,
- Rear glass: thermofloat with a black warm edge spacer,
- Milling on both sides,
- RAL 9016 white gloss,



○ DP 15

- Pull DP 60.1200,
- Front glass: VSG 33.1 thermofloat,
- Glazing (centre) sandblasted float,
- Rear glass: thermofloat with a black warm edge spacer,
- Alu-Inox application put on both sides,
- RAL 7016 grey anthracite matt,

○ DP 16

- Pull DP 60.1600,
- Front glass: VSG 33.1 thermofloat,
- Glazing (centre) sandblasted float,
- Rear glass: thermofloat with a black warm edge spacer,
- Milling on both sides,
- RAL 7016 grey anthracite matt,





○ DP 17

- Pull DP 50.1200,
- Front glass: VSG 33.1 thermofloat,
- Glazing (centre) sandblasted float with translucent stripes,
- Rear glass: thermofloat with a black warm edge spacer,
- Milling on both sides,
- RAL 9016 white gloss,

○ DP 18

- Pull DP 60.800,
- Front glass: VSG 33.1 thermofloat,
- Glazing (centre) sandblasted float with translucent stripes,
- Rear glass: thermofloat with a black warm edge spacer,
- External milling,
- Flush Alu-Inox inlay on both sides,
- RAL 7001 matt,



○ DP 19

- Pull DP 60.800,
- Front glass: VSG 33.1 thermofloat,
- Glazing (centre) sandblasted float with translucent stripes,
- Rear glass: thermofloat with a black warm edge spacer,
- RAL 9016 white gloss,

○ DP 20

- Pull DP 60.1800,
- Front glass: VSG 33.1 thermofloat,
- Glazing (centre) sandblasted float with translucent stripes and a decorative frame,
- Rear glass: thermofloat with a black warm edge spacer,
- Alu-Inox inlay applied outside into the panel/flush,
- Decorative frame made of aluminum profile 20x60, placed on the front, in the colour of a panel,
- RAL 7016 grey anthracite matt,



○ DP 21

- Pull DP 60.1800,
- Alu-Inox application put on both sides,
- RAL 7016 grey anthracite matt,

○ DP 22

- Pull DP 60.1800,
- Alu-Inox application put on both sides,
- RAL 7016 grey anthracite matt,

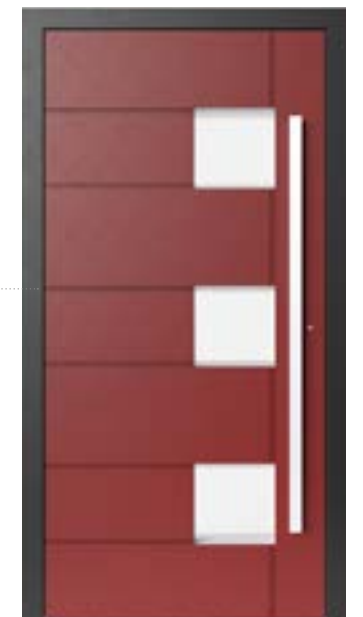


○ DP 23

- Pull DP 60.1800,
- Alu-Inox application put on both sides,
- RAL 9016 white gloss,

○ DP 24

- Pull DP 60.1400,
- Front glass: VSG 33.1 thermofloat,
- Glazing (centre) sandblasted float with transparent stripes,
- Rear glass: thermofloat with a black warm spacer bar,
- Milling on both sides,
- RAL3004/RAL9005,



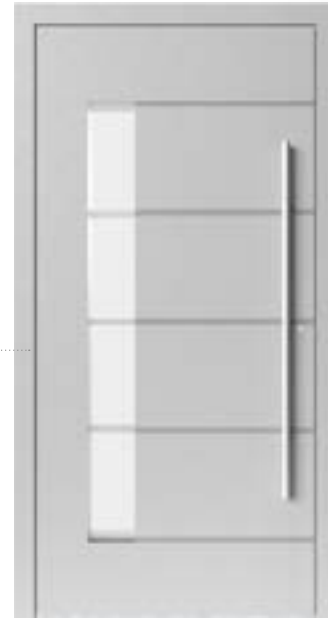


DP 25

- Pull DP 60.1400,
- Front glass: VSG 33.1 thermofloat,
- Glazing (centre) sandblasted float with transparent stripes,
- Rear glass: thermofloat with a black warm spacer bar,
- INOX application,
- RAL5005,

DP 26

- Pull DP 40.1200,
- Front glass: VSG 33.1 thermofloat,
- Glazing (centre) sandblasted float with transparent stripes,
- Rear glass: thermofloat with a black warm spacer bar,
- Milling on both sides,
- RAL7040,



DP 27

- Pull DP 30.1200,
- Front glass: VSG 33.1 thermofloat,
- Glazing (centre) sandblasted float,
- Rear glass: thermofloat with a black warm spacer bar,
- Milling on both sides,
- RAL9005,

DP 28

- Pull DP 60.1400,
- Front glass: VSG 33.1 thermofloat,
- Glazing (centre) sandblasted float with transparent stripes,
- Rear glass: thermofloat with a black warm spacer bar,
- Milling on both sides,
- RAL1023/RAL9005,



DP 29

- Pull DP 70.1400,
- Front glass: VSG 33.1 thermofloat,
- Glazing (centre) sandblasted float,
- Rear glass: thermofloat with a black warm spacer bar,
- INOX application,
- RAL9005,

DP 30

- Pull DP 70.1200,
- Front glass: VSG 33.1 thermofloat,
- Glazing (centre) sandblasted float,
- Rear glass: thermofloat with a black warm spacer bar,
- INOX application,
- RAL7040,



DP 31

- Pull DP 60.1600,
- Front glass: VSG 33.1 thermofloat,
- Glazing (centre) sandblasted float,
- Rear glass: thermofloat with a black warm spacer bar,
- INOX application,
- RAL6012,

DP 32

- Pull DP 60.1800,
- Front glass: VSG 33.1 thermofloat,
- Glazing (centre) sandblasted float,
- Rear glass: thermofloat with a black warm spacer bar,
- INOX application,
- RAL9001,





○ DP 33

- Pull DP 60.1400,
- Front glass: VSG 33.1 thermofloat,
- Glazing (centre) sandblasted float,
- Rear glass: thermofloat with a black warm spacer bar,
- INOX application,
- RAL3004,

○ DP 34

- Pull DP 60.1600,
- Front glass: VSG 33.1 thermofloat,
- Glazing (centre) sandblasted float or mirror,
- Rear glass: thermofloat with a black warm spacer bar,
- Smooth panel,
- RAL9001,



○ DP 35

- Pull DP 60.1600,
- Milling on both sides,
- RAL3004,

○ DP 36

- Pull DP 30.1400,
- Front glass: VSG 33.1 thermofloat,
- Glazing (centre) sandblasted float,
- Rear glass: thermofloat with a black warm spacer bar,
- RAL7040,



○ DP 37

- Pull DP 60.1200,
- Front glass: VSG 33.1 thermofloat,
- Glazing (centre) sandblasted float,
- Rear glass: thermofloat with a black warm spacer bar,
- INOX application,
- RAL7016,

○ DP 38

- Pull DP 60.1400,
- Front glass: VSG 33.1 thermofloat,
- Glazing (centre) sandblasted float,
- Rear glass: thermofloat with a black warm spacer bar,
- INOX application,
- RAL1019,



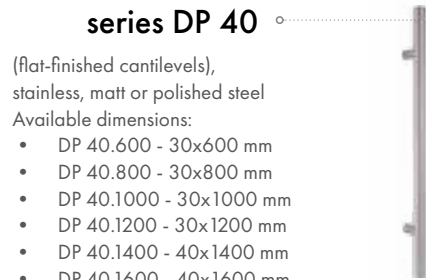


series DP 30

(cantilevers cut at the angle of 45 degrees), stainless, matt or polished steel

Available dimensions:

- DP 30.600 - 30x600 mm
- DP 30.800 - 30x800 mm
- DP 30.1000 - 30x1000 mm
- DP 30.1200 - 30x1200 mm
- DP 30.1400 - 40x1400 mm
- DP 30.1600 - 40x1600 mm
- DP 30.1800 - 40x1800 mm



series DP 40

(flat-finished cantilevers), stainless, matt or polished steel

Available dimensions:

- DP 40.600 - 30x600 mm
- DP 40.800 - 30x800 mm
- DP 40.1000 - 30x1000 mm
- DP 40.1200 - 30x1200 mm
- DP 40.1400 - 40x1400 mm
- DP 40.1600 - 40x1600 mm
- DP 40.1800 - 40x1800 mm

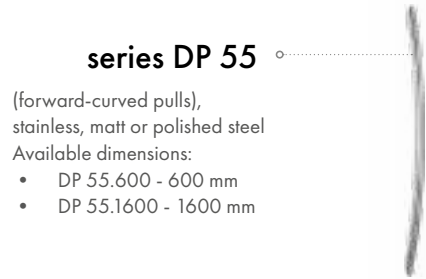


series DP 50

(side-curved pulls), stainless, matt or polished steel

Available dimensions:

- DP 50.600 - 30x600 mm
- DP 50.1000 - 30x1000 mm
- DP 50.1200 - 30x1200 mm



series DP 55

(forward-curved pulls), stainless, matt or polished steel

Available dimensions:

- DP 55.600 - 600 mm
- DP 55.1600 - 1600 mm

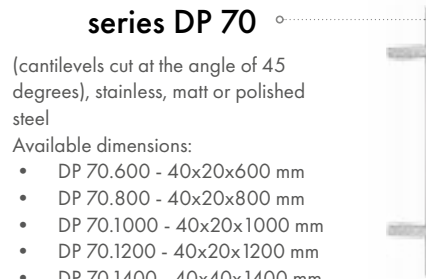


series DP 60

(flat-finished cantilevers), stainless, matt or polished steel

Available dimensions:

- DP 60.600 - 40x20x600 mm
- DP 60.800 - 40x20x800 mm
- DP 60.1000 - 40x20x1000 mm
- DP 60.1200 - 40x20x1200 mm
- DP 60.1400 - 40x40x1400 mm
- DP 60.1600 - 40x40x1600 mm
- DP 60.1800 - 40x40x1800 mm



series DP 70

(cantilevers cut at the angle of 45 degrees), stainless, matt or polished steel

Available dimensions:

- DP 70.600 - 40x20x600 mm
- DP 70.800 - 40x20x800 mm
- DP 70.1000 - 40x20x1000 mm
- DP 70.1200 - 40x20x1200 mm
- DP 70.1400 - 40x40x1400 mm
- DP 70.1600 - 40x40x1600 mm
- DP 70.1800 - 40x40x1800 mm

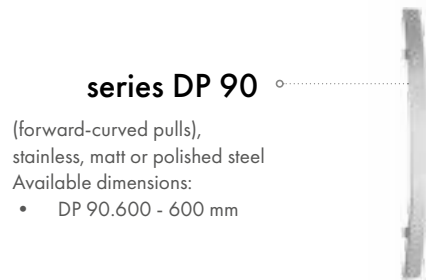


series DP 80

(cantilevers at the endings of the pull), stainless, matt or polished steel

Available dimensions:

- DP 80.600 - 600 mm



series DP 90

(forward-curved pulls), stainless, matt or polished steel

Available dimensions:

- DP 90.600 - 600 mm



series DP 100

(flat-finished cantilevers), stainless, matt or polished steel

Available dimensions:

- DP 100.600 - 600 mm
- DP 100.800 - 800 mm
- DP 100.1000 - 1000 mm
- DP 100.1200 - 1200 mm
- DP 100.1400 - 1400 mm
- DP 100.1600 - 1600 mm
- DP 100.1800 - 1800 mm



series DP 120

stainless, matt or polished steel

Available dimensions:

- DP 120.600 - 600 mm



series DP 210

(cantilevers cut at the angle of 45 degrees) stainless/Jatobe, matt or polished steel

Available dimensions:

- DP 210.800 - 800 mm
- DP 210.1200 - 1200 mm
- DP 210.1600 - 1600 mm



series DP 110

(cantilevers cut at the angle of 45 degrees), stainless, matt or polished steel

Available dimensions:

- DP 110.600 - 600 mm
- DP 110.800 - 800 mm
- DP 110.1000 - 1000 mm
- DP 110.1200 - 1200 mm
- DP 110.1400 - 1400 mm
- DP 110.1600 - 1600 mm
- DP 110.1800 - 1800 mm



series DP 200

(flat-finished cantilevers), stainless/Jatobe, matt or polished steel

Available dimensions:

- DP 200.800 - 800 mm
- DP 200.1200 - 1200 mm
- DP 200.1600 - 1600 mm

In our offer you will find a wide range of glass with motifs, translucent glass or ornamental glass available in the most popular designs. (Not applicable to models DP20 to DP 36.)

Optional ornaments:



Satinata

Master-Ligne

Chinchilla

Master-Carre

Master-Point

Sidelights and toplights consist of 3-glazed units with warm edge spacers. The sidelights (permanent glazing) can be placed on one side as well as both sides of a door structure.

The maximum width of a sidelight: 1400 mm.

All door models are available in variants with sidelights and toplights.

variant 1: Sandblasted glass (motifs)

variant 2: Translucent glass

variant 3: Ornamental glass

Panelled doors are designed for the most demanding users. The innovative technical solutions and unconventional designs let us create not only functional and durable front entry doors, but also the hallmark and decoration for many years.

Standard colours

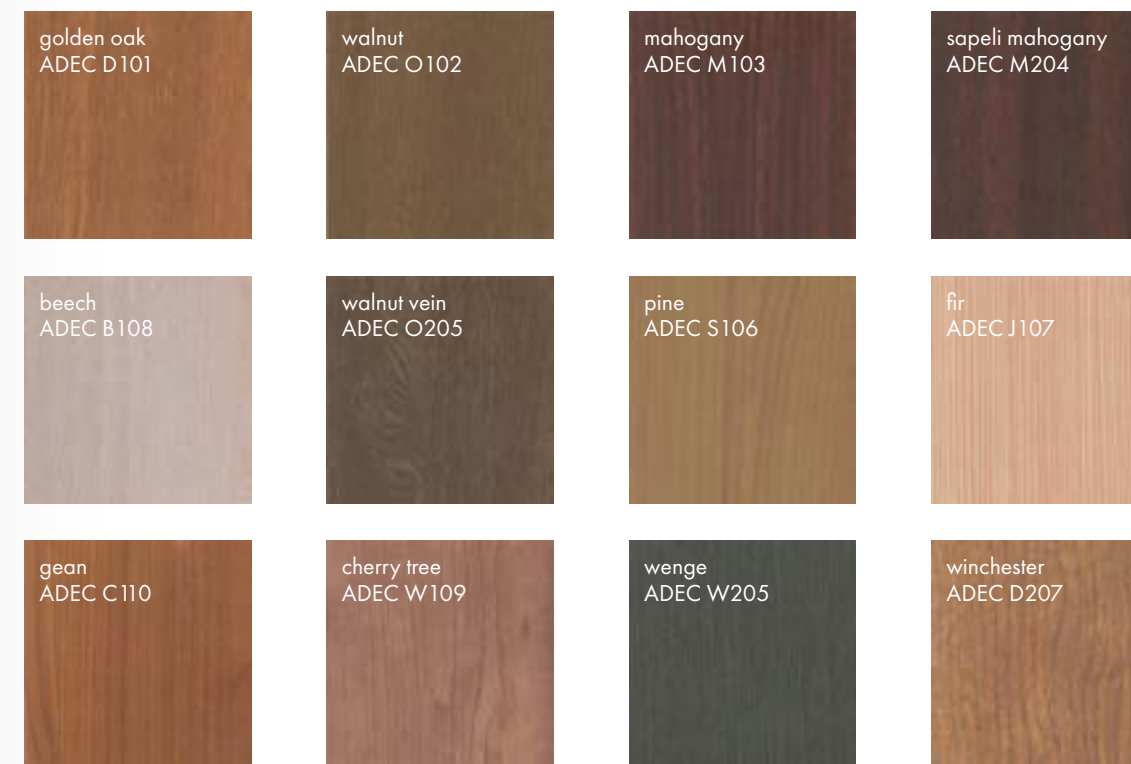
Door colours will definitely enhance the facade look and add an individual character.



* Optionally all RAL colours are available as subject to a surcharge.

** Models from DP20 to DP36 are only available in RAL colors.

Wood-like colours



* A surcharge for wood-like colours.

** Colours shown in this leaflet may differ from the actual ones.

*** Models from DP20 to DP36 are only available in RAL colors.





ALULINE

ALUMINUM DOORS



ALUMINUM DOORS ALULINE

The collection of AluLine panels does not only have a modern design, a wide range of accessories and abundance of available colours, but also extraordinary resistance to weather conditions. The outer layer of the panel is made of aluminium sheet metal. The interior is filled with XPS extruded polystyrene, which provides the panels with high thermal insulation parameters. We offer panels with the thickness of 24, 36 and 48 mm according to individual needs.

AluLine collection panels are available in several dozen designs. We also offer the possibility of producing a door of your own design, suggesting the best design solutions. Door panels can be finished in any way you like. Their surface can be decorated with stainless steel applications or take on a spatial, grooved structure. We also offer decorations flush with the panel surface. Such a wide selection makes it possible to choose doors which can perfectly fit in both innovative designs and buildings with a classic look.

See more AluLine models
in our Entrance Door Catalogue.



**ЕКО
ОКНА**

The publication does not constitute a commercial offer. It is not a basis for submitting complaints.
Presented photographs are illustrative pictures, not actual product photos.

1/2019



Eko-Okna S.A.

Spacerowa 4

47-480 Kornice