

**εκο
οκπα**

INFINITI

SECTIONAL GARAGE DOORS



SECTIONAL GARAGE DOORS

The garage door is one of the most exposed and used elements of the house and garage daily. An important aspect is that the gate fits the whole facade and emphasizes its charm. Over the years, we have analyzed the market needs and we have created the INFINITI sectional door line for you. They meet the current trends, provide safety, warmth, and a very high standard of use.



The publication does not constitute an offer. It is not the basis for filing a complaint.
The presented photos are illustrative photos, not actual photos of the products.

Current marketing materials, such as the INFINITI sectional door catalog, the INFINITI garage door equipment package leaflet, the order form, and the Declaration of Performance, are available for download on our website www.ekookna.pl.

www.ekookna.com



ALL FOR HOME

The joinery is distinguished by a wide range of products, which should be closely related through technology solutions related to safety and protection against noise. The Eko-Okna company guarantees a comprehensive offer and system solutions that will satisfy the most demanding customers who decide to choose our windows, doors, roller shutters, shutters, fences and, of course, INFINITI sectional garage doors.



TRANSPORT

In order to ensure the timely delivery of your orders, we have created our own fleet of trucks. Additionally, each of them is equipped with a forklift. This enables efficient unloading of orders in the indicated place. To meet your needs, we have also equipped the vehicles with a payment terminal. You can now pay without cash directly to the driver.



CONTROL

The amazing thing about our garage door is that by equipping them with automation and connecting control devices, it can become part of a „smart home“. It is the customer who chooses the products, and we fine-tune all the automation elements. Motors, transmitters, and control units are part of the „All in One Control“ product line. All elements are compatible and technologically coherent, thanks to which the customer can control not only the gate, but also roller shutters, doors, alarm and even lighting. „All in One Control“ means freedom of control, use and ensuring high level of safety.



FUNCTIONALITY

The basic features of INFINITI doors are safety of use, functionality, and timelessness. The customer can retrofit the gate with packages such as INFINITI Quiet, Safe or Premium. We also offer additional elements such as a warning lamp with an RTS antenna, a code keypad, and an internal wall-mounted transmitter. They will improve the functionality of the gate. Additionally, at the customer's request, the door can be equipped with a wicket door and an aluminum section.



THE HIGHEST QUALITY

At Eko-Okna, we take care of every detail and quality of the product. The components we use during production come from reputable suppliers. This gives us the quality guarantee that we pride ourselves on. We also pay special attention to the accuracy and precision of our products, because thanks to this, we are able to guarantee you high quality and unchanging appearance of the gate for many years.



INDIVIDUALISM

The gate is one of the most exposed elements of the joinery. That is why we take great care in adjusting the door to the individual appearance of the building and the user's requirements. The knowledge and experience we have in the production of sectional doors allowed us to create the perfect product tailored to the client's expectations.



SIMPLICITY AND TIMELESSNESS

INFINITI sectional doors are characterized by exceptional simplicity, which manifests itself in a refined and simple structure. The assembly is very simple, and the operation is trouble-free. The timeless charm of INFINITI garage doors is possible thanks to a wide range of patterns, embossing, colors and veneers.

SECTIONAL GARAGE DOORS

Garage doors consist of several basic elements. Those are:

- gate coat (panels)
- vertical and horizontal guides
- springs
- electric drive

These elements are available in several different variants, which allows us to create many configurations of INFINITI sectional doors tailored to the customer's preferences. We can individually select solutions depending on the lintel height, garage depth and type of drive. Panels that can be varnished or glued and made of various applications made of stainless steel (INOX) give great personalization options.

We present all these possibilities in the All in One Design collection.



SPRING TYPE

TENSION

Tension springs are recommended for installation in small garages. Installation of doors with tension springs is extremely fast and does not require special winding of the springs. A mechanism of two springs is used here (the so-called „spring in a spring“), which allows the armor to bear a weight of up to about 120 kg.

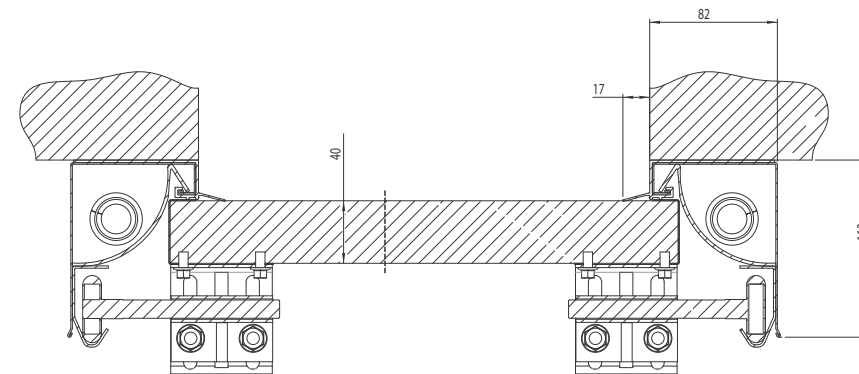


an animation showing a sectional door with tension springs

ASSEMBLY DIMENSIONS

		Garage doors with tension springs
type of drive		manual or automatic
max. area of the door		9 m ²
max. dimension of the opening	max. width (W) max. height (H)	4000 mm 3000 mm
min. nib width	min. A, B	90 mm
minimal/recommended lintel height	C manual / auto	100 / 130 mm
max. lintel height for standard hanging	max. * C	350 mm
min. building depth without the drive	min. D	H + 579 mm
min. building depth with electric drive	min. D	for doors up to 2250 mm, height 3150 mm for doors up to 2750 mm, height 3750 mm for doors up to 3000 mm, height 4750 mm

* Above 350 mm lintel, installation with the use of angles supplied on request



horizontal cross-section of a sectional door with tension springs

installation instructions



PDF



video

SPRING TYPE

TORSION AT THE FRONT

Torsion springs are dedicated to large-size gates. They will lift much more weight than the tension springs. Installation of doors with torsion springs at the front is possible when the lintel height is at least 200 mm. The maximum weight of the garage door is about 195 kg.

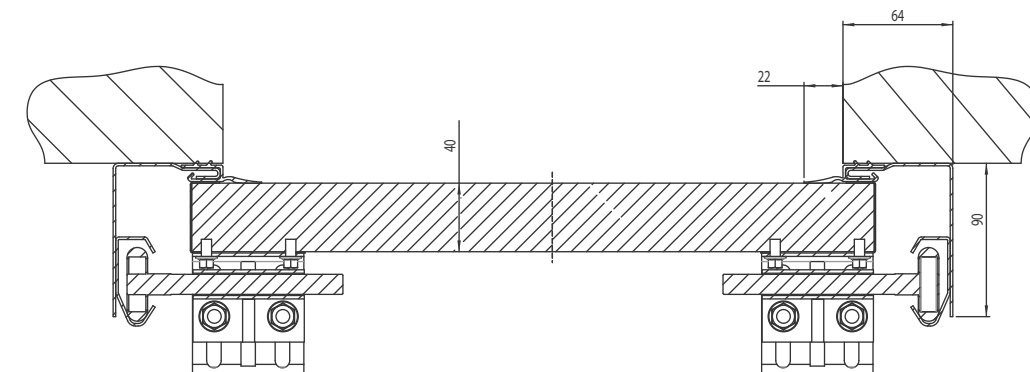


an animation showing a sectional door with torsion springs at the front

ASSEMBLY DIMENSIONS

		Garage door with torsion springs at the front
type of drive		manual or automatic
max. area of the door		15 m ²
max. dimension of the opening	max. width (W) max. height (H)	5500 mm 3000 mm
min. nib width	min. A, B	75 mm
minimal/recommended lintel height	C manual / auto	200 mm
max. lintel height for standard hanging	max.* C	350 mm
min. building depth without the drive	min. D	H + 575 mm
min. building depth with electric drive	min. D	for doors up to 2250 mm, height 3150 mm for doors up to 2750 mm, height 3750 mm for doors up to 3000 mm, height 4750 mm

* Above 350 mm lintel, installation with the use of angles supplied on request



horizontal cross-section of a sectional door with torsion springs, front

installation instructions



PDF



video

SPRING TYPE

TORSION AT THE REAR

The location of the torsion springs in the rear part of the door allows it to be mounted to the garage opening with a lower lintel. In this case, it is sufficient for the lintel to be 85 mm (115 mm for an electric drive). Maximum lifting capacity up to approx. 195 kg.

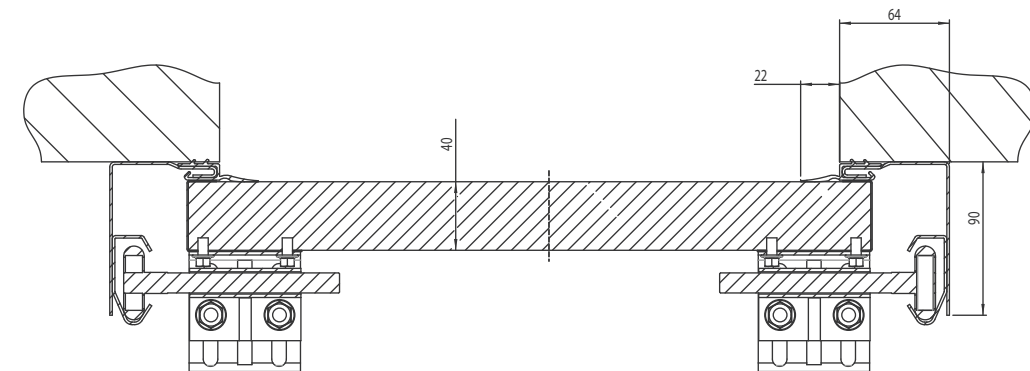


an animation showing a sectional door with torsion springs at the rear

ASSEMBLY DIMENSIONS

		Garage door with torsion springs at the rear
type of drive		manual or automatic
max. area of the door		12,5 m ²
max. dimension of the opening	max. width (W) max. height (H)	5000 mm 3000 mm
min. nib width	min. A, B	75 mm
minimal/recommended lintel height	C manual / auto	85/115 mm
max. lintel height for standard hanging	max. * C	350 mm
min. building depth without the drive	min. D	H + 695 mm
min. building depth with electric drive	min. D	for doors up to 2250 mm, height 3150 mm for doors up to 2750 mm, height 3750 mm for doors up to 3000 mm, height 4750 mm

* Above 350 mm lintel, installation with the use of angles supplied on request



horizontal cross-section of the rear sectional door with torsion springs

installation instructions



PDF



video

LIST OF BASIC PARAMETERS

INFINITI garage door (springs)	max. door surface	max. door weight	max. lintel height*	min. nib width	min building depth without the drive	min building depth with electric drive
	[m ²]	[kg]	[mm]	[mm]	[mm]	[mm]
tension	9	120	130	90	H + 579	for garage door height up to 2250 mm - 3150 mm; for garage door height up to 2750 mm - 3750 mm; for garage door height up to 3000 mm - 4750 mm.
torsion at the front	15	195	200	75	H + 575	
torsion at the rear	12,5	195	115	75	H + 695	

* applies to garage doors with drives

ADDITIONAL SOLUTIONS FOR SECTIONAL DOORS

INFINITI garage doors (springs)	glazing (INOX and PVC)	aluminum section	INOX application	service doors
tension	●	●	●	● only in the middle
torsion at the front	●	●	●	●
torsion at the rear	●	●	●	●





EQUIPMENT PACKAGES

Our motto is to fulfill the client's expectations. That is why we have introduced INFINITI door equipment packages to our offer. These activities allowed us to be fully compatible with window and door joinery. INFINITI packages solutions were also created with a view to greater anti-burglary protection and protection against noise.



Nowadays, we are exposed to increased noise. Various sounds reach us practically at every step. Too high intensity and prolonged exposure to noise can cause health problems. Therefore, to minimize them, we have created the INFINITI QUIET package especially for you.

It is an ideal proposition for a client who:

- looks for silence and wants to relax in the privacy of your home,
- wants its windows and doors to be compatible with the garage door,
- chooses windows and doors that protect against outside noise,
- draws attention to the quality of workmanship and depends on the smoothness of the garage operation,
- cares about a timeless, exclusive garage finish,
- they do not want to wake up the household when they leave the garage by car early in the morning or come home very late.



Safety is a priority in every aspect of our lives. That is why we pay so much attention to it when choosing a garage door. It is supposed to provide our clients with high level of security. It has an anti-burglary function and ensures the highest safety of use.

The INFINITI SAFE package is the right proposition for a customer who:

- want to protect themselves against temporary power cuts,
- selects windows and doors that protect against burglary, noise, and theft,
- cares for their household members, has small children and animals, and wants to protect them,
- want to protect the car from damage or theft.



Each of us, while building our dream home, strives to ensure adequate comfort and safety. This is what the PREMIUM package guarantees. A garage door is a product that is to serve for years. It is also an integral part of the house, garage, and surroundings, which is why it is so important to properly personalize all components responsible for the appearance, operation, comfort of use and safety.

In INFINITI doors, the PREMIUM package is dedicated to the customer who:

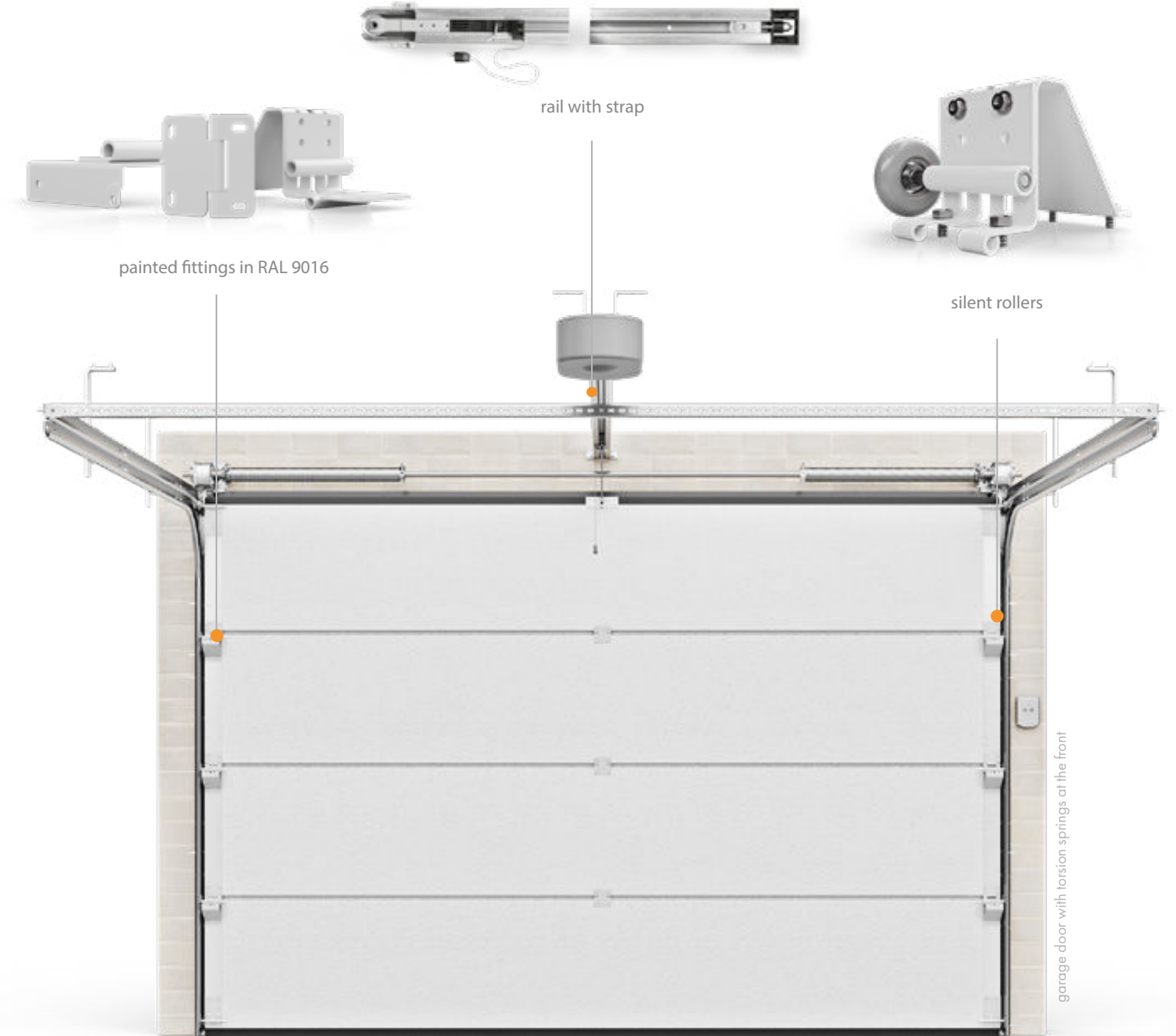
- wants to have all the functions of the QUIET and SAFE packages in one,
- looks for both peace and security in their home,
- requires the comfort of a safe and quiet gate,
- relies on top-class joinery of the same standard: all elements aimed at protecting the house and its inhabitants.



QUIET INFINITI

Silence... with the INFINITI Quiet package!

- Gate operation is smooth and quiet.
- Aesthetics and functionality at the highest level.
- The gate is compatible with other noise-proofing joinery.
- Comfort for the most demanding customers
- Minimized noise of the working gate.



CAME  **somfy**

INFINITI Quiet Package available with Somfy and Came drives

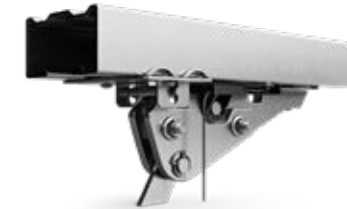
SAFE INFINITI

Safety is ensured by the INFINITI Safe package!

- Optimum security for all members of the household and your car.
- Ensuring work in the event of power cuts.
- Adaptation of the garage door to the joinery equipped with elements which increased security class.
- Dedicated anti-theft security.



emergency opening battery



mechanical lock
of the truck



garage door with torsion springs at the rear



photocells



INFINITI Safe Package available with Somfy drives

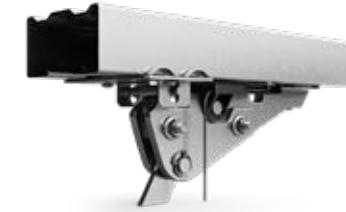


Premium only with INFINITI Premium package!

- Complete equipment for a quiet and safe gate.
- Satisfying the values of design and aesthetics.
- Minimized noise of the running garage door.
- Guarantee of safety for the residents of the house.



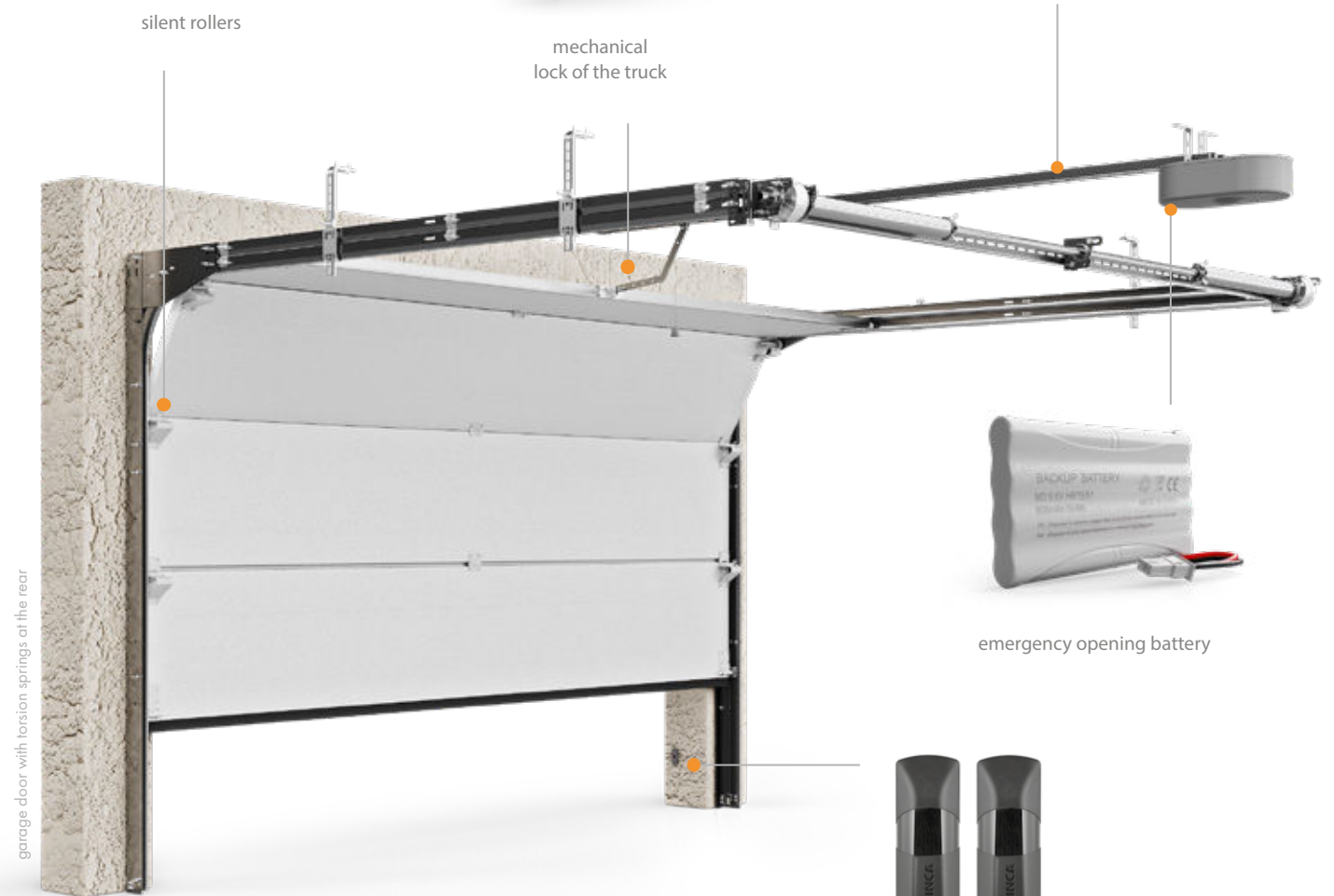
silent rollers



mechanical lock of the truck



rail with strap



emergency opening battery



photocells



Cheaper in the package!



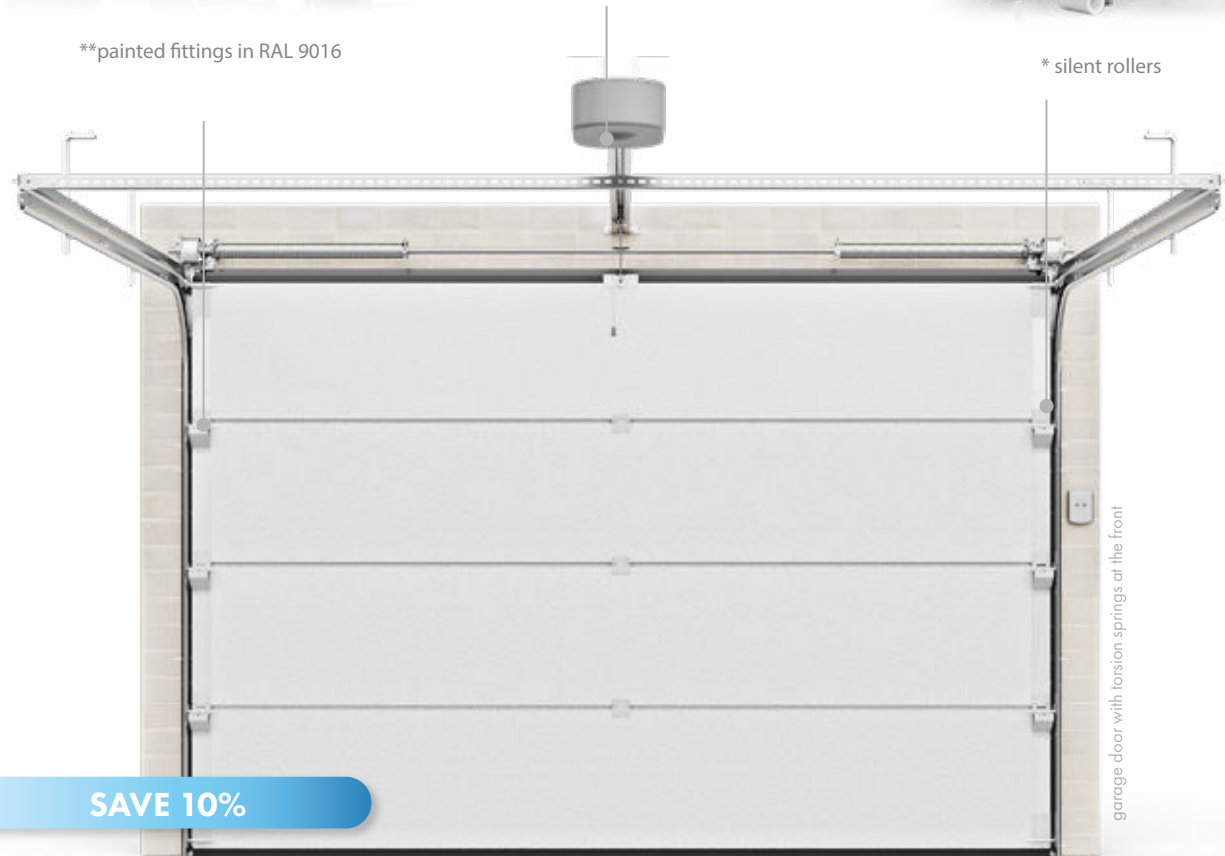
**painted fittings in RAL 9016



rail with strap



* silent rollers



garage door with torsion springs at the front

SAVE 10%



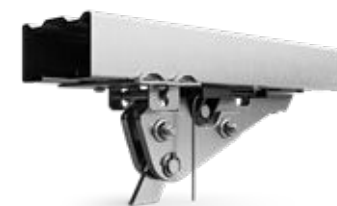
INFINITI Quiet Package available with Somfy and Came drives

* Quiet rollers - for side hinges. ** Painted fittings - color RAL 9016, in the garage door with tension springs, the upper handles with rollers are silver, galvanized.

Cheaper in the package!



emergency opening battery



mechanical lock of the truck



garage door with torsion springs at the rear

SAVE 10%



photocells



INFINITI Safe Package available with Somfy drives



Cheaper in the package!



* leise Laufrollen



mechanische Laufwerkssperre



Schiene mit Gurt



garage door with torsion springs at the rear



Akku für Notöffnung

SAVE 15%



Fotocellen



INFINITI Premium Package available with Somfy drives

* Quiet rollers - for side hinges.



DISCOUNT FOR ACCESSORIES -10%

- silent rollers,
- rail with strap,
- painted fittings in RAL 9016.



DISCOUNT FOR ACCESSORIES -10%

- Akku für Notöffnung,
- mechanische Laufwerkssperre,
- Fotozellen.



DISCOUNT FOR ACCESSORIES -15%

- Akku für Notöffnung,
- mechanische Laufwerkssperre,
- Fotozellen,
- Schiene mit Gurt,
- leise Laufrollen.



APPLICATIONS (decorations)

We leave the selection of decorations to your choice. They are made of high-quality stainless steel. The All in One Design product line uses inlays in the following compositions:

- Firenze
- Torino
- Verona

They are a frequently chosen element of decorations, which also occurs in door joinery. The palette of patterns that we have at our disposal is constantly developing, which allows you to modify the compositions you choose.



SERVICE DOORS

A garage with a service door is primarily convenience and comfort. It is especially appreciated when the garage is used not only for parking, but also for storing e.g., bicycles, garden tools and other necessary items.

The choice of such a door model allows you to exit or enter without the need to open or lift the entire door. This will ensure energy savings, as well as greater comfort of use and safety.

This solution also extends the service life of the entire system, as components such as the drive, springs and rollers are used less frequently.



ALUMINUM SECTION

Sectional doors are often used in workshops and services. Then it is worth using the so-called aluminum section that replaces the entire door panel.

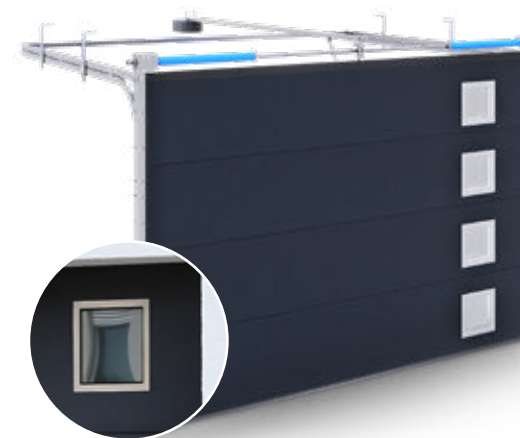
Thanks to this solution, the amount of light in the room increases, as well as the comfort and safety of work.



GLAZING

If you are looking for a bespoke, modern design of your sectional door, consider glazing of the sections. This helps to admit more light to the garage interior and makes the sectional door more attractive.

Our glazing units are made with stainless steel frames with glass panes or PVC frames with acrylic panes. These solutions are very popular in the All In One Design lines where all joinery parts form a harmonious whole. The glazing is especially popular in the Messina composition.



PVC FRAME

(acrylic pane infill)



STAINLESS STEEL FRAME

(glass pane infill)



FASCIA

It is a sight part which is installed when there is no header or the header is insufficiently exposed.

The standard fascia height ranges from 100 mm to 600 mm and it can provide a faux header which is not a structural member. The fascia cannot be used for mounting of door components or the door drive unit; it can only be used with rear torsion or tensioning springs. The fascia is installed in the opening; when the garage door is closed, it is extended in front of the door curtain.

INDUSTRIAL SECTIONAL GARAGE DOORS

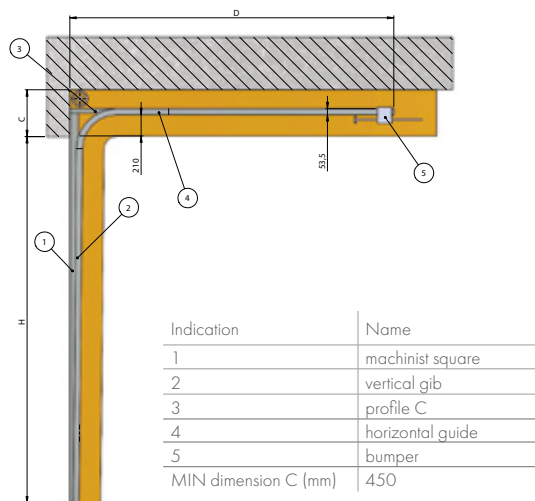
Industrial sectional doors are designed for facilities such as:

- warehouses,
- production facilities,
- workshops,
- services,
- garages of multi-family buildings.

Industrial doors differ from garage doors mainly in the size and type of components used. They are specially designed for very heavy use. They use springs with a longer life, while the side motors have increased operating parameters. Thanks to the use of appropriately selected materials, the structure of the gate is durable and the accessories (including drives, springs, accessories) are adapted to the demanding conditions in which industrial gates operate. Each of the industrial doors can be additionally equipped with a service door, an aluminum section or glazing (with PVC frames).

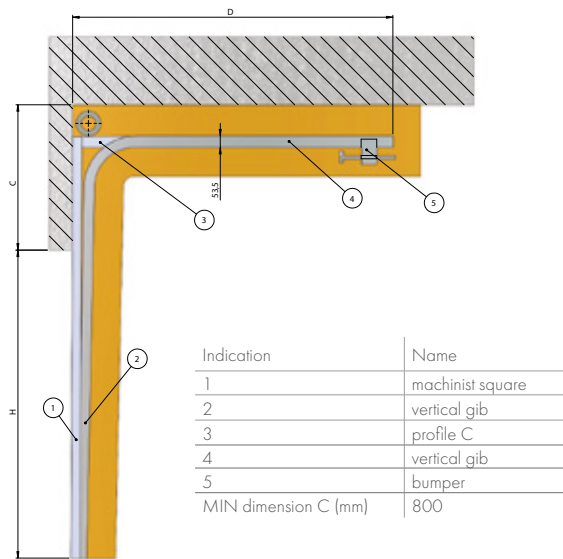


STANDARD SYSTEM NL



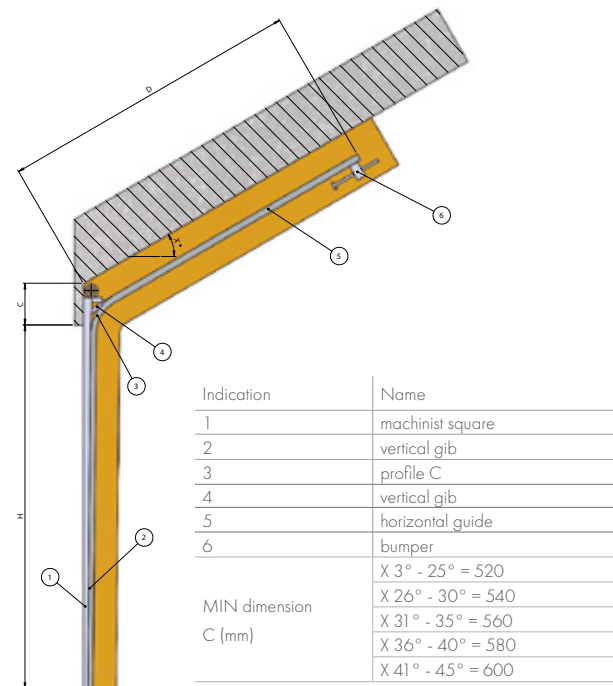
Indication	Name
1	machinist square
2	vertical gib
3	profile C
4	horizontal guide
5	bumper
MIN dimension C (mm)	
450	

HIGH SYSTEM HL



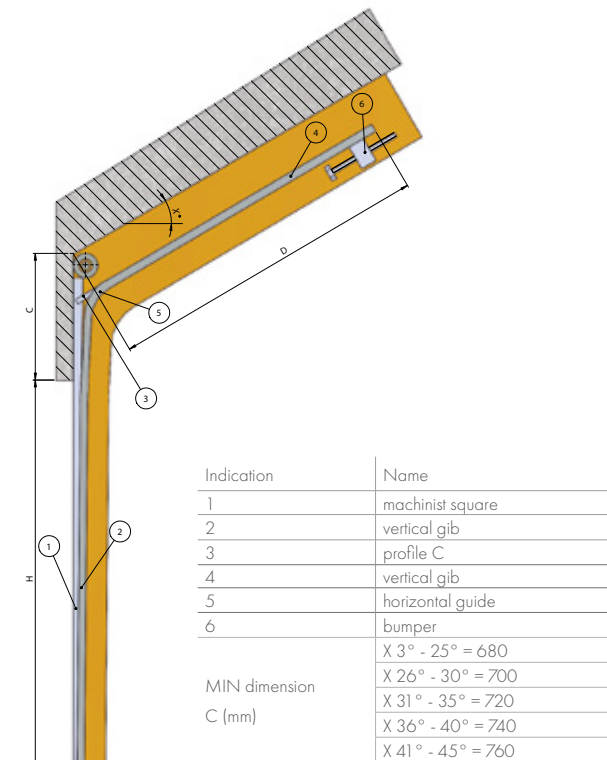
Indication	Name
1	machinist square
2	vertical gib
3	profile C
4	vertical gib
5	bumper
MIN dimension C (mm)	
800	

SLOPE SYSTEM FTR



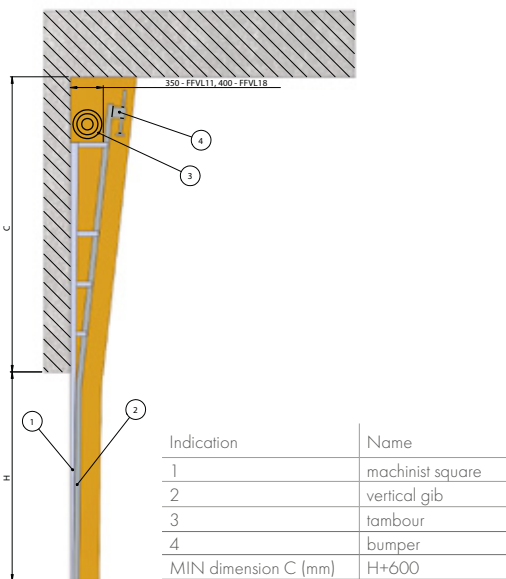
Indication	Name
1	machinist square
2	vertical gib
3	profile C
4	vertical gib
5	horizontal guide
6	bumper
MIN dimension C (mm)	
X 3° - 25° = 520	
X 26° - 30° = 540	
X 31° - 35° = 560	
X 36° - 40° = 580	
X 41° - 45° = 600	

HIGH SYSTEM SLOPE FHL



Indication	Name
1	machinist square
2	vertical gib
3	profile C
4	vertical gib
5	horizontal guide
6	bumper
MIN dimension C (mm)	
X 3° - 25° = 680	
X 26° - 30° = 700	
X 31° - 35° = 720	
X 36° - 40° = 740	
X 41° - 45° = 760	

VERTICAL SYSTEM VL

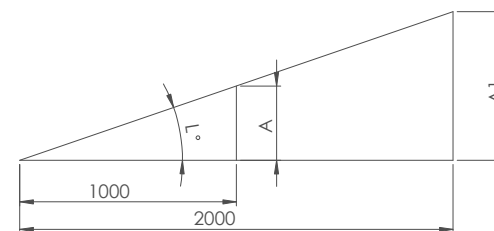


Indication	Name
1	machinist square
2	vertical gib
3	tambour
4	bumper
MIN dimension C (mm)	
H+600	

ASSEMBLY DIMENSIONS

Industrielle Tore mit Torsionsfedern		
type of drive		manual or electric
min. nib width	min. A, B [mm]	250 from the drive side and 120
minimal/recommended lintel height	min. C [mm]	- STANDARD NL - 450 - HIGHER HL - 800 - VERTICAL VL - H+600 - STANDARD SLOPE FTR from 520 - HIGHER SLOPE FHL from 680
min. building depth with an electric drive	[mm]	H + 750

ANGLE CALCULATION TABLE FOR SLOPING SYSTEMS



L°	%	A	A1
5	8,75	87,5	175
10	17,63	176,3	352,7
15	26,79	267,9	535,9
20	36,40	364	727,9
25	46,63	466,3	932,6
30	57,74	577,4	1154,7
35	70,02	700,2	1400,4
40	83,91	839,1	1678,2
45	100,00	1000,0	2000
50	119,18	1191,8	2383,5
55	142,81	1428,1	2856,3
60	173,21	1732,1	3464,1



2

3



PANEL TYPES



Woodgrain panel smooth, with low and high embossing



smooth panel, with low and high embossing

The most visible and exposed element in each garage door is the door surface consisting of panels. Thanks to modern technologies, we have a very large possibility of personalization here. It includes:

- type of coating - varnished RAL or veneered,
- panel type - smooth or embossed: low embossment, high embossment or Woodgrain.

Veneer panels are often used. They can only be made on a smooth surface - without any structure. Thanks to the wide range of available colors, we are able to satisfy even the most demanding customers. The compositions in the All in One Design product line allow the customer to choose windows, doors, roller shutters, façade blinds in the same RAL colors or veneers as the INFINITI sectional door.

EXAMPLES OF THE STRUCTURE OF LACQUER PANELS



7016 smooth

7016 structure

7016 Deep Matt structure



The panels are available in colors from the RAL palette and veneers used in Salamander, Aluplast and Gealan window profiles.

SAMPLE RAL COLORS ON PANELS



RAL 9005



RAL 7016



RAL 9016



RAL 9006



RAL 8014



RAL 3001



All RAL colors are available in the offer.

EXAMPLES OF VENEER COLORS ON THE PANELS



anthracite AP40



sand anthracite gray AP60



golden oak AP23



Winchester AP95



dark oak AP06



sand gray AP61



The panels are available in colors from the RAL palette and veneers used in Salamander, Aluplast and Gealan window profiles.







SOMFY KEYTIS 2 RTS

2-channel remote control



SOMFY KEYTIS 4

4-channel remote control



SOMFY KEYGO 4 io

4-channel remote control io



SOMFY KEYGO 4 RTS

2-channel remote control RTS



MASTER PRO BITECH

set of photocells
(transmitter + receiver)



PUPILLA

set of photocells
(transmitter + receiver)
with an adjustable angle of 180°



OUTSIDE SWITCH

key wired



FLUSH SWITCH

key wired



**METAL WIRELESS
CODE KEYPAD RTS**

2-channel keyboard



**METAL WIRELESS
RADIO KEYPAD io**



**WALL TRANSMITTER
RTS**

2-channel transmitter



**WIRELESS CODE
KEYPAD RTS**

2-channel keyboard



HANDLE + LOCK



SMOOVE IO

wall mounted



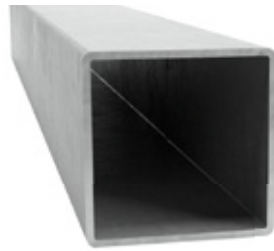
TAHOMA

internet manager
io & RTS installation



**WARNING LAMP
WITH RTS ANTENNA**

orange, 24V



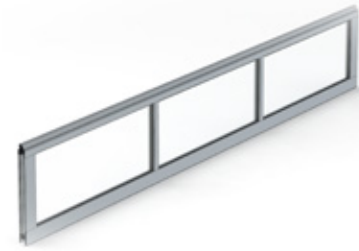
RENOVATION PROFILE

100 x 40 x 2 mm
50 x 40 x 2 mm



COVERING PROFILES

65 mm (413903)
85 mm (413904)



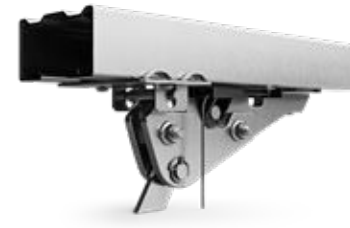
ALUMINUM SECTION

color anode or painted acc. RAL



HANDLE IN ABS

double-sided, black



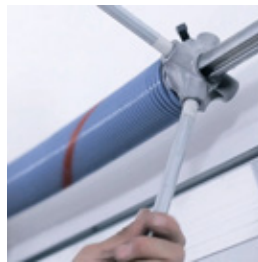
MECHANICAL TRUCK LOCK



SILENT GALVANIZED ROLLERS



SILENT WHITE ROLLERS



TENSION RODS

for torsion springs (2 pcs.)



EMERGENCY RELEASE

to the gate operator



SIDE SLIP



BATTERY

the battery allows the drive to work during a power failure 5-10 work cycles within 24 hours, depending on the characteristics



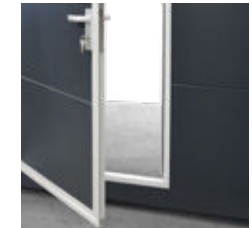
PAINTED FITTINGS

side hardware, hinges, handles,
middle hardware - RAL 9016



PASSAGE DOOR WITH LOW THRESHOLD

standard



PASSAGE DOOR WITH HIGH THRESHOLD

optional



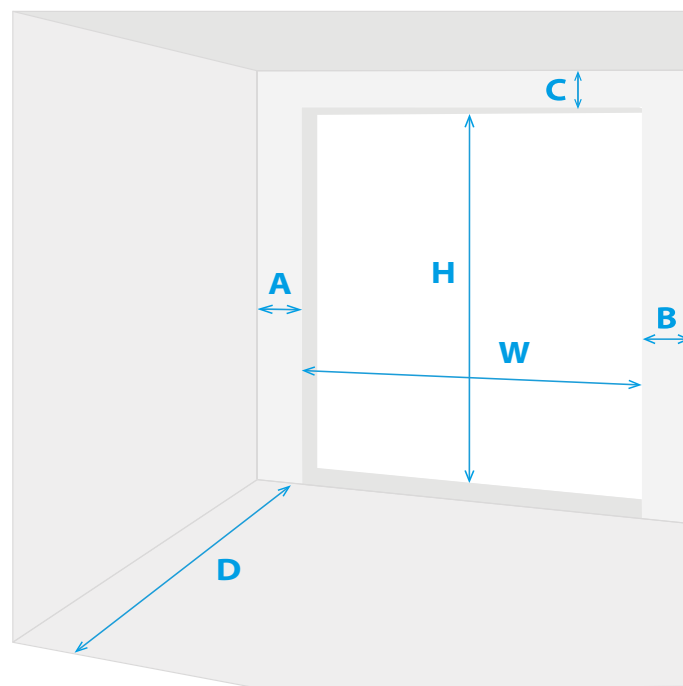
HOW TO CHOOSE THE GATE TO THE OPENING?

The optimal situation is to install the door when the garage is completely finished. However, we know that it is not always possible, so we want to draw your attention to several aspects that are very important during assembly. It's important to:

- walls, ceiling, lintel, and jambs are finished, i.e., plastered and painted; these surfaces should be vertical or horizontal,
- the floor is flat and has the correct level.

The door is designed based on the opening dimensions (W - width, H - height and C - lintel). Subsequent finishing works (after the door has been installed) may adversely affect the functioning of individual door elements. Additionally, when measuring, pay attention to the following:

- whether the recess is or will be insulated,
- what is the depth of the joints in the tiles on the floor - they should be as small as possible,
- whether the driveway at the gate has a suitable slope - towards the outside, so that water does not penetrate the garage,
- that the surface of the ceiling and the jambs were taken into account in the measurement; possible windows, internal doors, various types of installations (sanitary, ventilation, gas, electric), additional lintel cannot collide with such elements of the gate as: horizontal guides, rail and motor.



A - width of the left nib
 B - width of the right nib
 C - lintel height
 D - embedding depth
 H - height
 W - width

SAMPLE ORDER FORM

We recommend you to fill out the purchase order form for a correct specification of the sectional door, containing the following data:

<p>PANEL TYPE / PRESSING TYPE (outside)</p> <p><input type="checkbox"/> No pressing <input type="checkbox"/> High <input type="checkbox"/> Low</p>	<p>SPRING TYPE</p> <p><input type="checkbox"/> Tension springs Maximum surface 9 m² C = 130 mm / min 90 mm C = 100 mm for manual drive</p> <p><input type="checkbox"/> Torsion front Maximum surface 15 m² C = 200 mm / A,B = min 75 mm</p> <p><input type="checkbox"/> Torsion rear Maximum surface 12,5 m² C = 115 mm / A,B = min 75 mm C = 85 mm for manual drive</p>
<p>STRUKTUR (außen)</p> <p><input type="checkbox"/> Woodgrain <input type="checkbox"/> Glatt</p>	<p>DRIVE</p> <p>MANUAL DRIVE</p> <p><input type="checkbox"/> manual drive <input type="checkbox"/> prepared for an engine</p> <p>ELECTRIC DRIVE SOMFY:</p> <p><input type="checkbox"/> CAME HG* (2 remote controls in set) <input type="checkbox"/> Somfy Dexxo Optimo (2 remote controls in set) <input type="checkbox"/> Somfy Dexxo Pro (2 remote controls in set) <input type="checkbox"/> Somfy Dexxo Smart io (2 remote controls in set) <input type="checkbox"/> Nice soon - side drive only for torsion springs (2 remote controls in set) <input type="checkbox"/> Engine rail - band <input type="checkbox"/> Engine rail - chain (standard) <input type="checkbox"/> Additional remote control (piece) _____</p> <p style="text-align: right;">does not apply to gates with door.</p>
<p>GATE COLOUR</p> <p>ON THE INSIDE:</p> <p><input type="checkbox"/> White STUCCO structure - standard <input type="checkbox"/> Chosen RAL colour: _____</p> <p>ON THE OUTSIDE:</p> <p><input type="checkbox"/> KL Anthracite (RAL 7016)** <input type="checkbox"/> KL White (RAL 9016)** <input type="checkbox"/> Black RAL 9005 ST** <input type="checkbox"/> KL DEEP MAT RAL 7016 Anthracite** <input type="checkbox"/> KL DEEP MAT RAL 7039 Quartz** <input type="checkbox"/> Chosen RAL colour: _____</p> <p>VENEER:</p> <p><input type="checkbox"/> Veneer*: _____</p> <p style="text-align: right;">* applies to plain panels without pressing ** applies to panels without pressing</p>	<p>GLAZING</p> <p><input type="checkbox"/> 290 x 290 (2 panes) <input type="checkbox"/> 310 x 310 (1 pane) <input type="checkbox"/> 490 x 160 (2 panes) <input type="checkbox"/> 585 x 285 (2 panes) <input type="checkbox"/> ø 330 (1 pane) <input type="checkbox"/> 250 x 250 Diamond (2 panes)</p> <p><input type="checkbox"/> transparent pane Segment nr*: 1 2 3 4 5 <input type="checkbox"/> matte pane No. of windows: _____</p> <p><input type="checkbox"/> PVC-frame</p> <p>Basic colour: 9016, 7016, 9005, 8017 8014, 8011, 8003 RAL colour: _____</p> <p>* segments counted from the ground up.</p>





ALL IN ONE DESIGN - A NEW DEFINITION OF STYLE

Developed for customers with the most sophisticated tastes and for those who, when designing a house, pay attention to every, even the smallest detail. The aesthetic line of products „All in One Design“ saves not only the time needed to choose the woodwork, but above all guarantees a harmonious appearance of windows, doors, gates, and roller shutters. It is also the certainty of complete technological compliance and convenience, which is undoubtedly the possibility of ordering all joinery elements from one manufacturer. We offer „All in One Design“ solutions in both PVC and aluminum joinery, adapting to the customer’s needs.

Among the compositions prepared by us, there are both those more subdued, recommended for traditional construction, as well as those distinguished by colors and decorations, which will be perfect for modern architecture.

It is no coincidence that the names of individual compositions refer to the names of Italian cities. Italians are known primarily for their love of art and fashion as well as their extraordinary sense of aesthetics. The „All in one Design“ product line is the most fashionable colors, bold combinations of materials and decorations. It is also the highest quality of workmanship and the possibility of choosing a product. The customer chooses a window system, roller shutter, door type and gate, and leaves their arrangement in our hands.

When you reach for products from the „All in One Design“ line, you can be sure that the façade will gain a coherent, „tailored“ image after installing the joinery.



The All in One Design catalog is available for download on our website.

FIRENZE



FOGGIA



TRIESTE



MESSINA



MODENA



TORINO



LIVORNO



VERONA





17



ALL IN ONE CONTROL - EVERYTHING IN YOUR HANDS

When developing the "All in One Control" product line, we focused on making our joinery part of a smart home. The technologies we propose facilitate home management, while ensuring the highest comfort and safety.

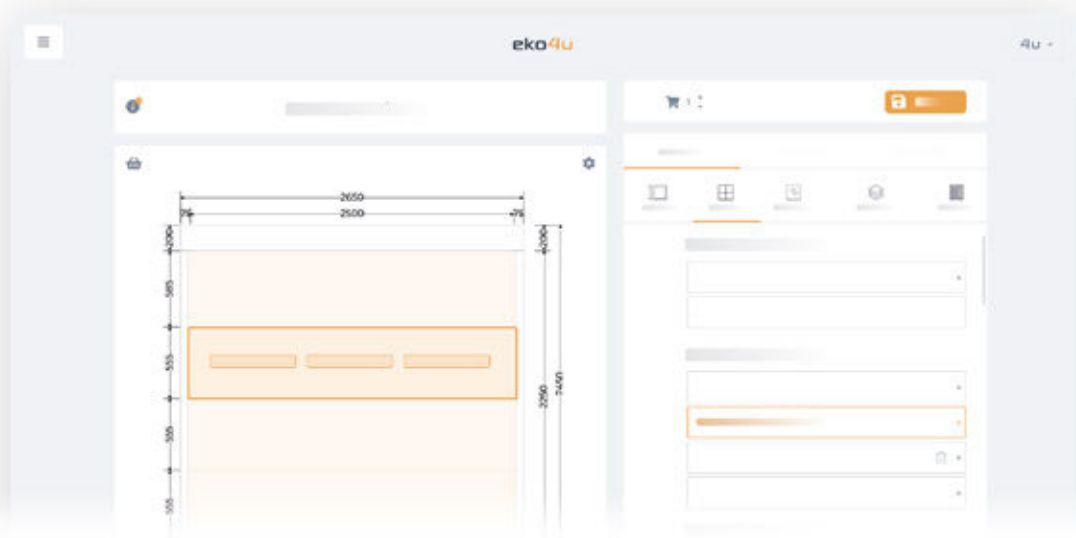
Control is a set of drives, transmitters and control units that interact with each other and allow you to freely control roller shutters, gate, door, alarm and even lighting. After connecting to Tahoma Premium, the user will be able to control them using any device with Wi-Fi access, as well as the IOS or Android operating system, such as a tablet, smartphone, smartwatch or laptop.

By choosing products from the „All in One Control" product line, customers can be sure of complete technological compliance. The customer chooses the products and we will refine all the automation elements with which they are to be equipped. When completing the devices, we only use the best solutions of a recognized European manufacturer, Somfy.





eko4u



Estimate garage doors online

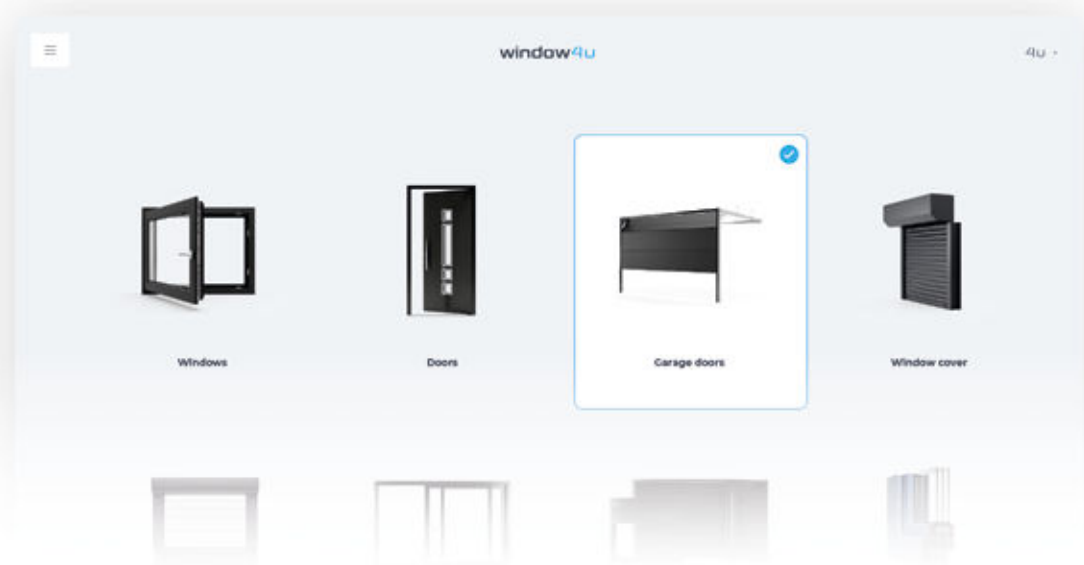
Independent calculation of a personalized offer for gates and other product segments, as well as the management of all orders and your company, are the most important functions of the eko4u platform.

Automate the joinery valuation process and increase your profits.

www.eko4u.com



window4u

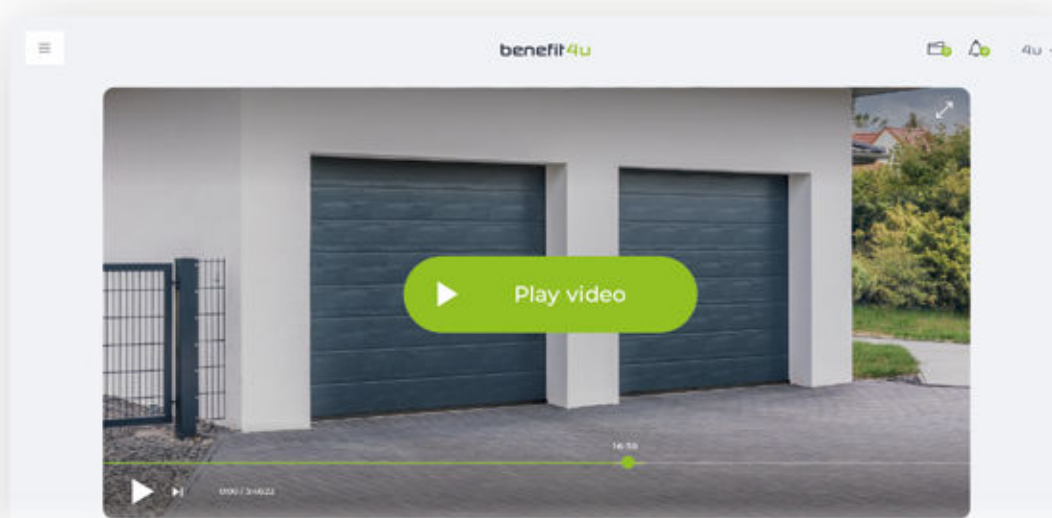


Recommend garage doors to customers in the area

Premium and standard class garage doors, as well as the All in One collection - these are only some of the products that you can offer to your customers in your window4u configurator. Increase your reach and develop online sales.

www.window4u.eu

benefit4u



Expand your knowledge of garage doors

Industry terms, instructional videos, webinars related to the garage door segment - all this can be found on the benefit4u e-learning platform. Manage industry knowledge in one place and use it in your daily work.

www.benefit4u.com



1/2022



Eko-Okna S.A.

ul. Spacerowa 4

47-480 Kornice

www.ekookna.com