

# PRICE LIST



---

# BESTSELLERS PRICE LIST

## Table of contents:

About us .....	3
Price list .....	4
Sliding doors .....	5
• uPVC sliding doors .....	6
• Aluminium sliding doors .....	8
Windows .....	11
• uPVC windows .....	12
• Aluminium windows .....	17
External doors .....	22
• Composite steel doors .....	23
Still have questions? .....	28
What we need to prepare a quote ....	29
Sales process .....	30

3

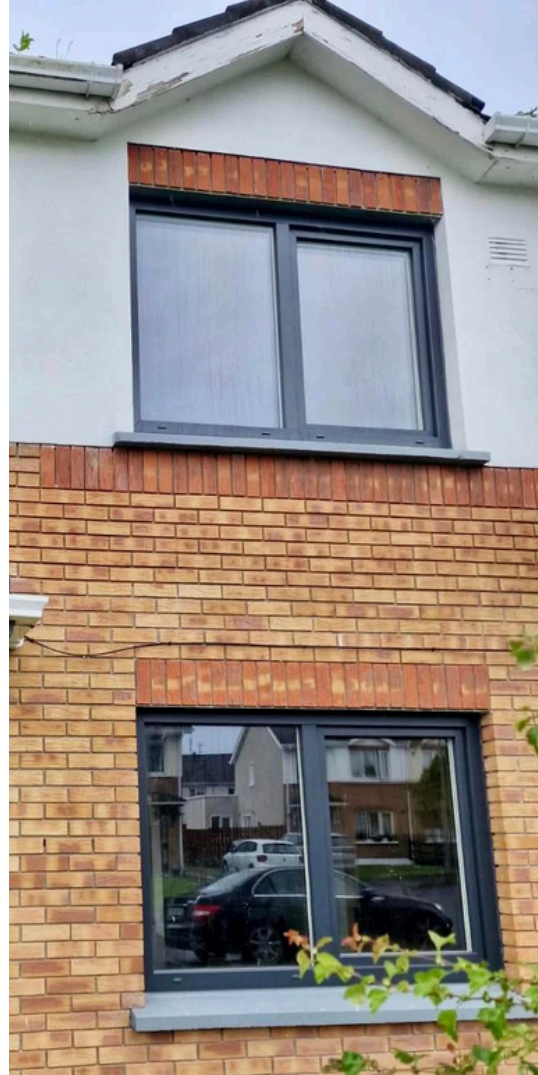
---

## ABOUT US

We are a dynamic and fast-developing Polish company that sells windows and doors to B2B and B2C customers in Ireland and other major global markets.

Our company policy is clear: we want to popularise the joinery from Poland and make the purchase process as easy and satisfying as possible.

We cooperate only with the best manufacturers and brands to offer high-quality and proven products known for their functionality and top aesthetics.



---

# PRICE LIST

We have prepared this Price List to help you search and compare products from the Fenbro offer. Remember that the **prices shown** in the Price List are for **standard white, double-glazed and/or triple-glazed** products and do not include changes in colours, accessories, dimensions, etc. Each change affects the final price of the product. **The presented price offer is for information purposes only.** If you want to know the detailed quote on your individual order, please contact our Sales Team. We will get back to you with the final price that is tailored to your specific needs – free of charge!



# SLIDING DOORS



# UPVC SLIDING DOORS

uPVC sliding doors are a cost-effective solution for balconies, verandas, terraces, or patios. They provide an amazing view of the exterior and an aesthetic appeal to your home. uPVC sliding doors offer very good thermal insulation properties and low maintenance. Besides, they are long lasting, weather resistant and eco-friendly.

All uPVC sliding door systems at FENBRO have a full 5-year warranty. The products are CE certified and their transport is organised by us and fully insured.

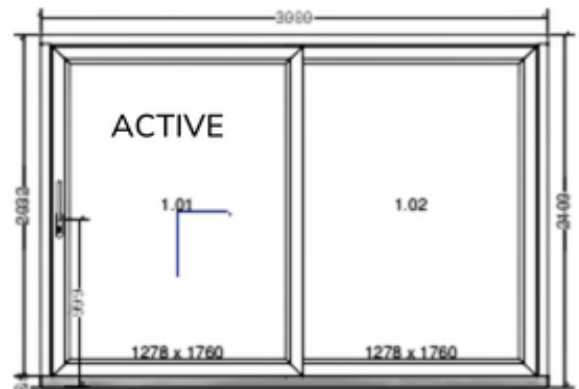


# UPVC SLIDING DOORS EVOLUTIONDRIVE 82

Brand: Salamander



	Double-glazed	Triple-glazed
<b><u>One active-leaf door (3000 x 2100)</u></b>		
<b>Price from:</b>	<b>€ 2862 net</b>	<b>€ 3424 net</b>
<b><u>One active-leaf door (4000 x 2100)</u></b>		
<b>Price from:</b>	<b>€ 3683 net</b>	<b>€ 4627 net</b>

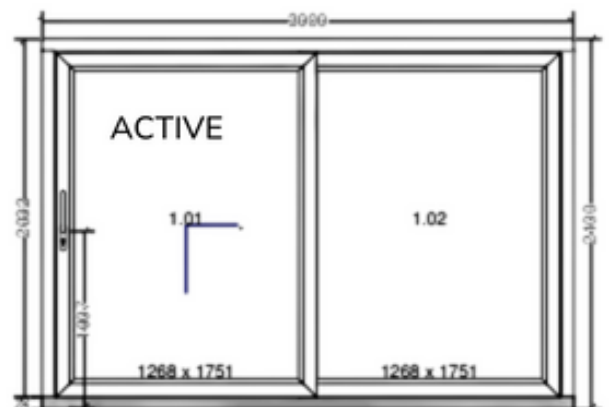


# UPVC SLIDING DOORS EVOLUTIONDRIVE PLUS+

Brand:  
Salamander



	Double-glazed	Triple-glazed
<b><u>One active-leaf door (3000 x 2100)</u></b>		
<b>Price from:</b>	<b>€ 1806 net</b>	<b>€ 2377 net</b>
<b><u>One active-leaf door (4000 x 2100)</u></b>		
<b>Price from:</b>	<b>€ 2709 net</b>	<b>€ 3645 net</b>



*The presented price offer is for information purposes only.*

# ALUMINIUM SLIDING DOORS

Aluminium sliding doors are a great way to modernise any space and let natural light in. Thanks to their strength and durability, they comprise ultra-slim sightliness of the frames and a full-height glazing – up to 4 m. Premium and top premium aluminium sliding door systems offer outstanding indicators for thermal insulation, acoustics, air-tightness and water-tightness.

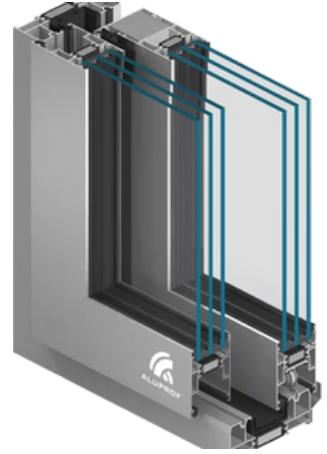
All aluminium sliding doors from Fenbro have 5 years of warranty. The products are CE certified and their transport is organised by us and fully insured.



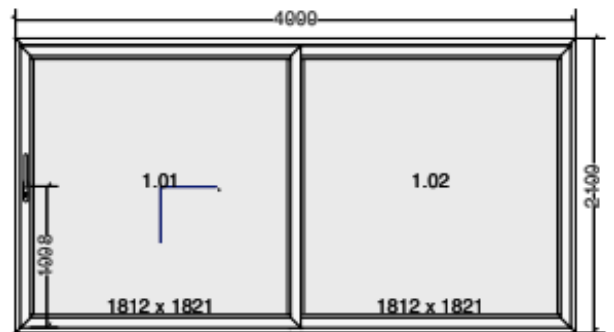


# ALUMINIUM SLIDING DOORS MB-59HS

Brand: Aluprof

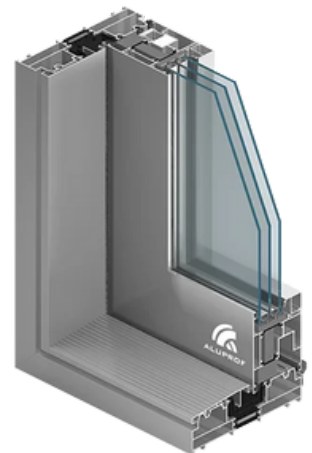


	Double-glazed	Triple-glazed
<u>One active-leaf door (4000 x 2100)</u>		
Price from:	€ 4239 net	€ 5320 net

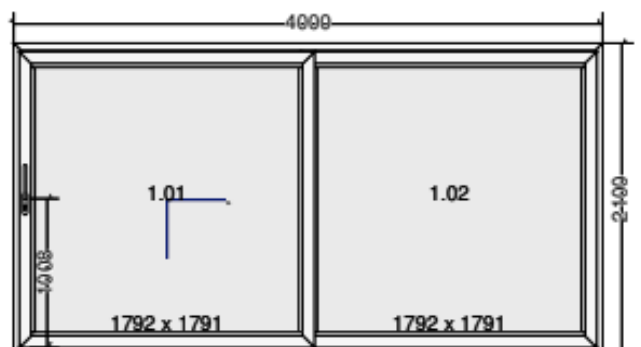


# ALUMINIUM SLIDING DOORS MB-77HS

Brand: Aluprof



	Double-glazed	Triple-glazed
<u>One active-leaf door (4000 x 2100)</u>		
Price from:	€ 4592 net	€ 5818 net



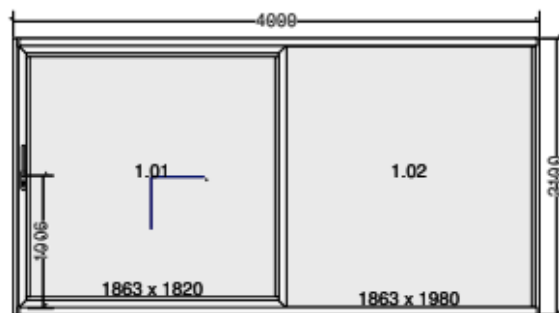
*The presented price offer is for information purposes only.*

# ALUMINIUM SLIDING DOORS MASTERPATIO



Brand:  
Reynaers

	Double-glazed	Triple-glazed
<b>One active-leaf door (4000 x 2100)</b>		
Price from:	---	€ 5785 net



# ALUMINIUM BIFOLD DOORS PANORAMA FOLD LINE

Brand: Aliplast



	Double-glazed	Triple-glazed
<b>Folding doors (4000 x 2100)</b>		
Price from:	€ 5467 net	€ 5715 net



*The presented price offer is for information purposes only.*

# WINDOWS



# UPVC WINDOWS

uPVC (Unplasticized Polyvinyl Chloride) is the most popular material for window frames. uPVC house windows are an ideal solution to keep your home energy-efficient. They are characterised by very good insulation parameters (U-Value), good soundproof and waterproof properties and reasonable prices. The uPVC frames are also durable and easy to maintain.

All uPVC windows at FENBRO have 5 years of warranty. The products are CE certified and their transport is organised by us and fully insured.



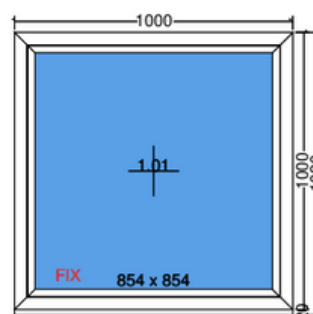
# UPVC WINDOW BLUEVOLUTION 82

Brand: Salamander



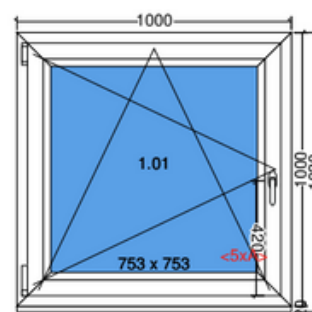
## FIXED WINDOW (1000 X 1000)

	Double-glazed	Triple-glazed
Price from:	-----	€ 134 net



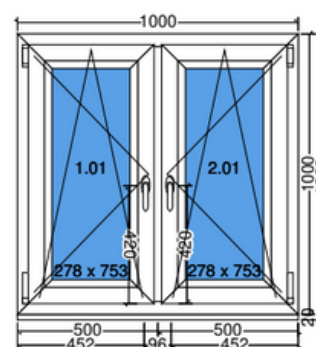
## TILT AND TURN WINDOW (1000 X 1000)

	Double-glazed	Triple-glazed
Price from:	-----	€ 204 net



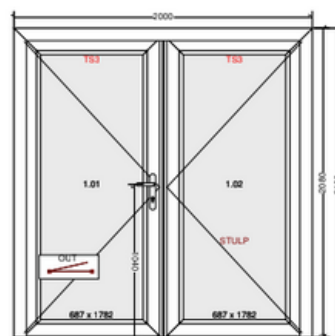
## DOUBLE SASH TILT AND TURN WINDOW (1000 X 1000)

	Double-glazed	Triple-glazed
Price from:	-----	€ 290 net



## FRENCH DOOR (2000 X 2100)

	Double-glazed	Triple-glazed
Price from:	-----	€ 1571 net



*The presented price offer is for information purposes only.*

# UPVC WINDOW GREENEVOLUTION FLEX 3D

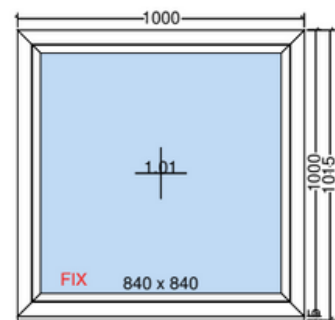


Brand:

Salamander

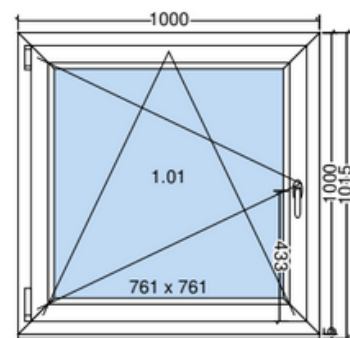
## FIXED WINDOW (1000 X 1000)

	Double-glazed	Triple-glazed
Price from:	€ 96 net	€ 120 net



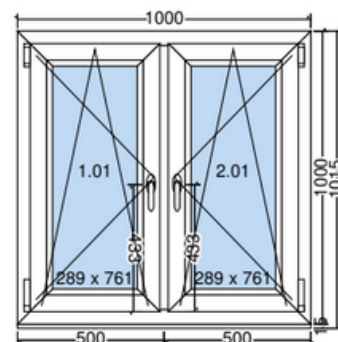
## TILT AND TURN WINDOW (1000 X 1000)

	Double-glazed	Triple-glazed
Price from:	€ 160 net	€ 181 net



## DOUBLE SASH TILT AND TURN WINDOW (1000 X 1000)

	Double-glazed	Triple-glazed
Price from:	€ 236 net	€ 253 net



*The presented price offer is for information purposes only.*

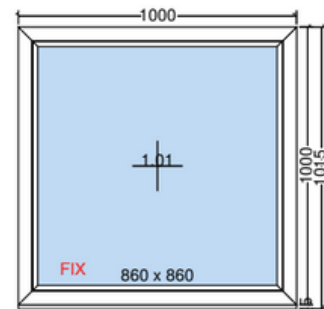
# UPVC WINDOW IDEAL 7000

Brand: Aluplast



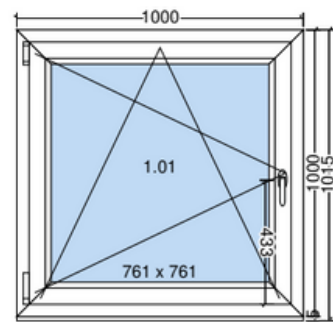
## FIXED WINDOW (1000 X 1000)

	Double-glazed	Triple-glazed
Price from:	€ 102 net	€ 118 net



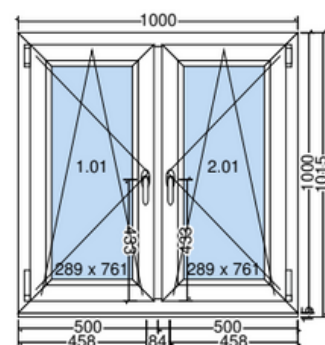
## TILT AND TURN WINDOW (1000 X 1000)

	Double-glazed	Triple-glazed
Price from:	€ 152 net	€ 165 net



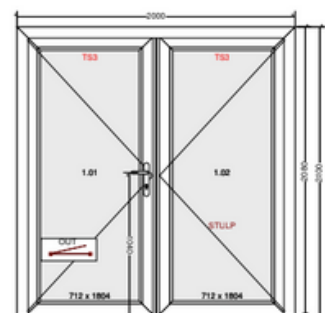
## DOUBLE SASH TILT AND TURN WINDOW (1000 X 1000)

	Double-glazed	Triple-glazed
Price from:	€ 216 net	€ 225 net



## FRENCH DOOR (2000 X 2080)

	Double-glazed	Triple-glazed
Price from:	€ 1423 net	€ 1543 net



*The presented price offer is for information purposes only.*

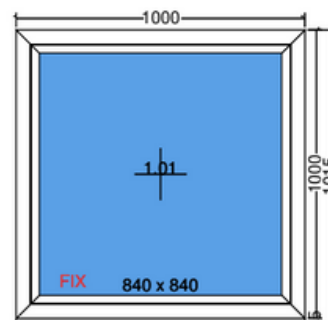
# UPVC WINDOW IDEAL 8000

Brand: Aluplast



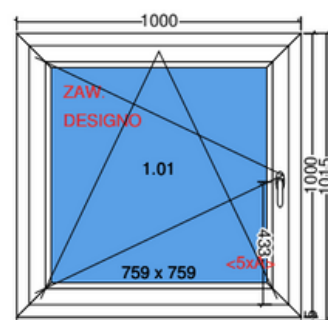
## FIXED WINDOW (1000 X 1000)

	Double-glazed	Triple-glazed
Price from:	-----	€ 158 net



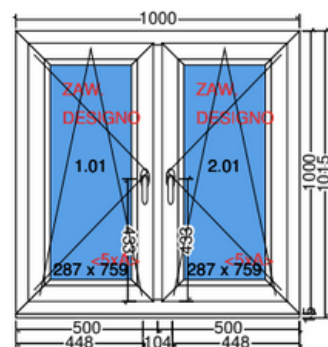
## TILT AND TURN WINDOW (1000 X 1000)

	Double-glazed	Triple-glazed
Price from:	-----	€ 247 net



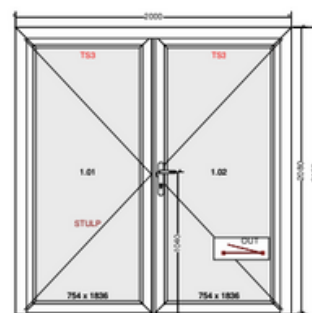
## DOUBLE SASH TILT AND TURN WINDOW (1000 X 1000)

	Double-glazed	Triple-glazed
Price from:	-----	€ 364 net



## FRENCH DOOR (2000 X 2080)

	Double-glazed	Triple-glazed
Price from:	-----	€ 1560 net



*The presented price offer is for information purposes only.*



# ALUMINIUM WINDOWS

Aluminium windows will complement every safe and energy-efficient building. Aluminium windows frames are highly durable and robust which allows for having a larger glass surface area. They are scratch and weather resistant and offer modern, contemporary aesthetics. Premium aluminium window models come with impressive thermal efficiency, highly increased by the choice of a properly warm triple-glazing unit.

All aluminium windows in the FENBRO offer are covered by a 5-year warranty. The products are CE certified and their transport is fully insured.



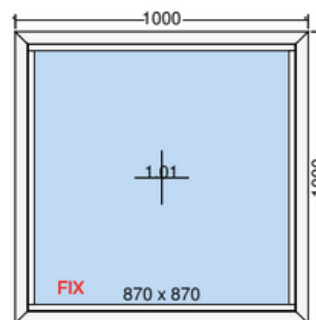
# ALUMINIUM WINDOW IMPERIAL

Brand: Aliplast



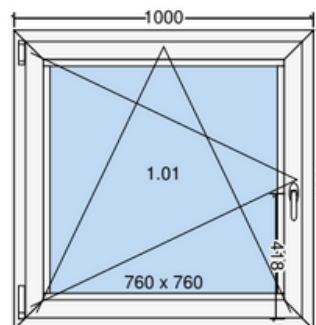
## FIXED WINDOW (1000 X 1000)

	Double-glazed	Triple-glazed
Price from:	€ 223 net	€ 252 net



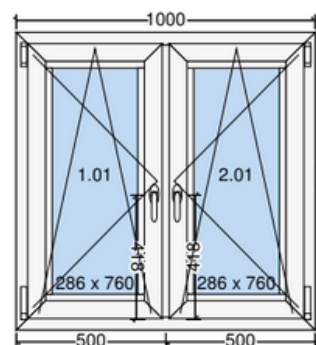
## TILT AND TURN WINDOW (1000 X 1000)

	Double-glazed	Triple-glazed
Price from:	€ 406 net	€ 443 net



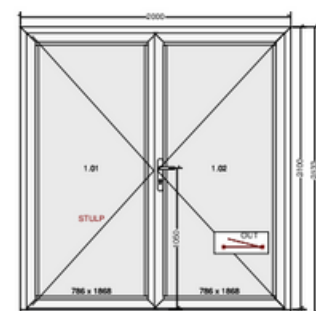
## DOUBLE SASH TILT AND TURN WINDOW (1000 X 1000)

	Double-glazed	Triple-glazed
Price from:	€ 604 net	€ 650 net



## FRENCH DOOR (2000 X 2100)

	Double-glazed	Triple-glazed
Price from:	€ 1986 net	€ 2179 net



*The presented price offer is for information purposes only.*

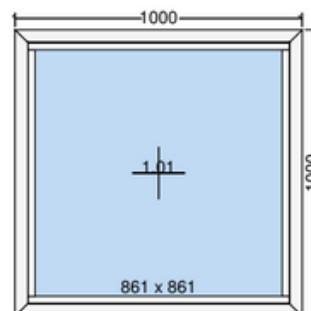
# ALUMINIUM WINDOW MB-79N SI

Brand: Aluprof



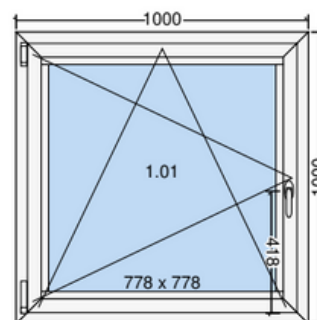
## FIXED WINDOW (1000 X 1000)

	Double-glazed	Triple-glazed
Price from:	€ 260 net	€ 281 net



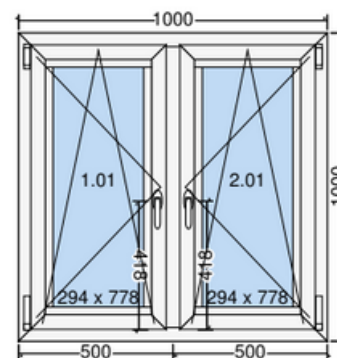
## TILT AND TURN WINDOW (1000 X 1000)

	Double-glazed	Triple-glazed
Price from:	€ 464 net	€ 490 net



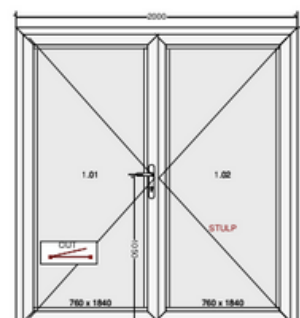
## DOUBLE SASH TILT AND TURN WINDOW (1000 X 1000)

	Double-glazed	Triple-glazed
Price from:	€ 679 net	€ 710 net



## FRENCH DOOR (2000 X 2100)

	Double-glazed	Triple-glazed
Price from:	€ 2037 net	€ 2196 net



*The presented price offer is for information purposes only.*

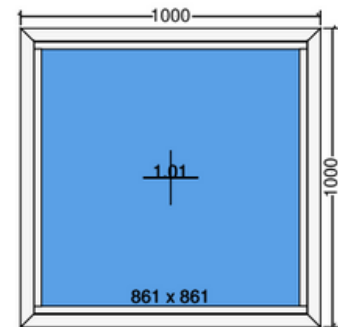
# ALUMINIUM WINDOW MB-86N SI



Brand: Aluprof

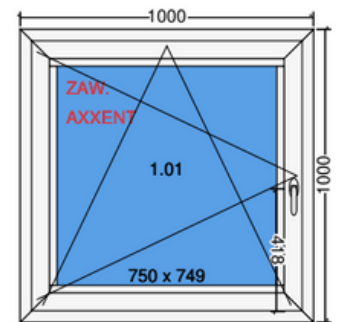
## FIXED WINDOW (1000 X 1000)

	Double-glazed	Triple-glazed
Price from:	-----	€ 324 net



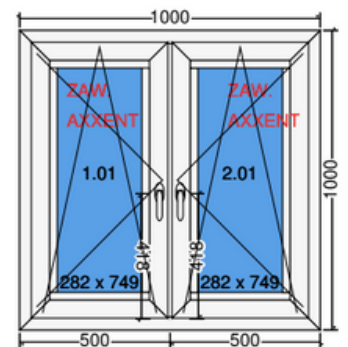
## TILT AND TURN WINDOW (1000 X 1000)

	Double-glazed	Triple-glazed
Price from:	-----	€ 585 net



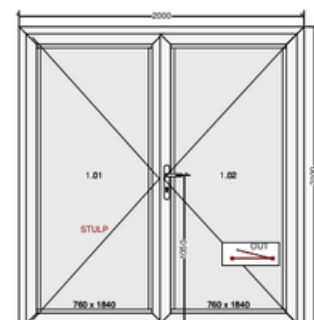
## DOUBLE SASH TILT AND TURN WINDOW (1000 X 1000)

	Double-glazed	Triple-glazed
Price from:	-----	€ 854 net



## FRENCH DOOR (2000 X 2100)

	Double-glazed	Triple-glazed
Price from:	-----	€ 2234 net



*The presented price offer is for information purposes only.*

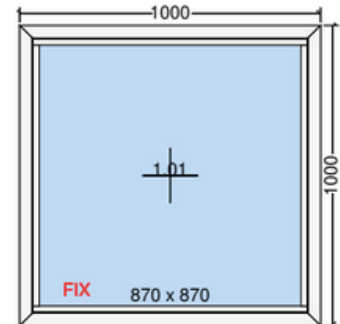
# ALUMINIUM WINDOW SUPERIAL



Brand: Aliplast

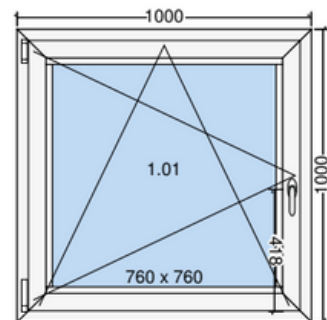
## FIXED WINDOW (1000 X 1000)

	Double-glazed	Triple-glazed
Price from:	€ 269 net	€ 297 net



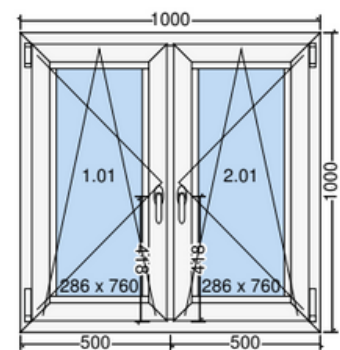
## TILT AND TURN WINDOW (1000 X 1000)

	Double-glazed	Triple-glazed
Price from:	€ 490 net	€ 522 net



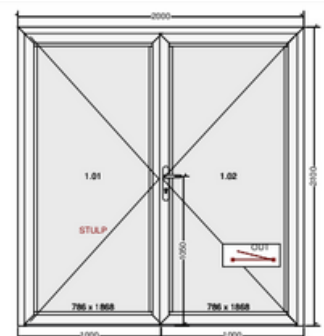
## DOUBLE SASH TILT AND TURN WINDOW (1000 X 1000)

	Double-glazed	Triple-glazed
Price from:	€ 720 net	€ 758 net



## FRENCH DOOR (2000 X 2100)

	Double-glazed	Triple-glazed
Price from:	€ 2025 net	€ 2299 net



*The presented price offer is for information purposes only.*

# EXTERNAL DOORS



# COMPOSITE DOORS

Steel composite doors are made of one of the strongest door materials, offering safety, energy efficiency, and durability. They are practically completely resistant to elements and weather conditions, providing outstanding thermal insulation, reducing energy consumption and lowering energy bills. Steel composite doors available at Fenbro come in the following lines: Alu Hybrid, Termo Prestige Lux, Optimum Termo and Premium Termo. They differ, among others, in: leaf thickness, level of thermal and acoustic insulation, anti-burglary class and fire protection.

All steel composite doors at Fenbro are covered by a 5-year warranty. The products are CE certified and their transport is fully insured.



# STEEL COMPOSITE DOORS

*The presented price list is the same for all steel composite doors.*



**STEEL COMPOSITE DOORS 12**

Brand: WIKĘD



**STEEL COMPOSITE DOORS 13**

Brand: WIKĘD



**STEEL COMPOSITE DOORS 23**

Brand: WIKĘD



**STEEL COMPOSITE DOORS 37**

Brand: WIKĘD



**STEEL COMPOSITE DOORS 42**

Brand: WIKĘD



**STEEL COMPOSITE DOORS GD01A**

Brand: WIKĘD



# STEEL COMPOSITE DOORS

## PREMIUM TERMO

The presented price offer is for information purposes only.

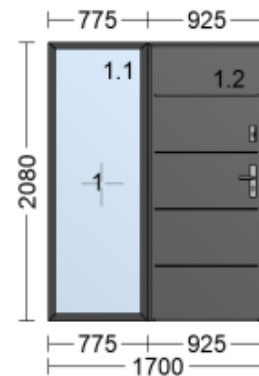
### FULL PANEL DOOR (925X2080)

Price from:	€ 1020 net
-------------	------------



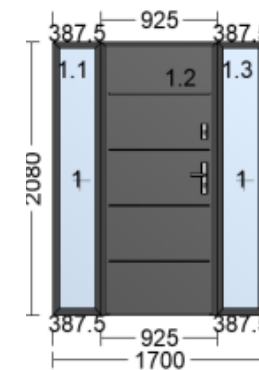
### FULL PANEL DOOR WITH ONE SIDE PANEL (1700X2080)

Price from:	€ 1771 net
-------------	------------



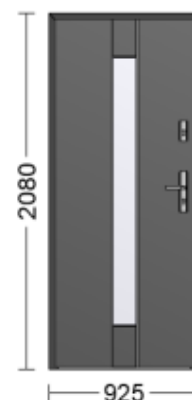
### FULL PANEL DOOR WITH TWO SIDE PANELS (1700X2080)

Price from:	€ 2180 net
-------------	------------



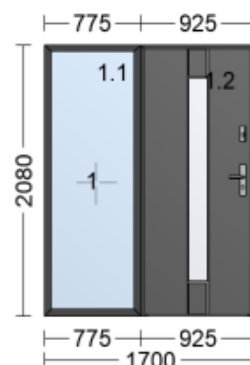
### GLASS PANEL DOOR (925X2080)

Price from:	€ 1374 net
-------------	------------



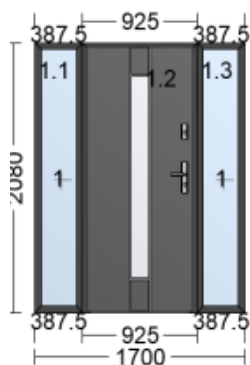
## GLASS PANEL DOOR WITH ONE SIDE PANEL (1700X2080)

Price from:	€ 2125 net
-------------	------------



## GLASS PANEL DOOR WITH TWO SIDE PANELS (1700X2080)

Price from:	€ 2534 net
-------------	------------



# OPTIMUM TERMO

*The presented price offer is for information purposes only.*

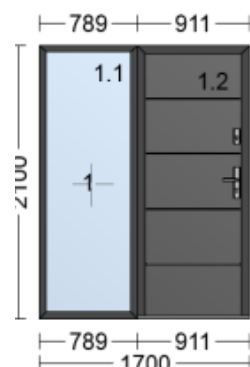
## FULL PANEL DOOR (911X2100)

Price from:	€ 1303 net
-------------	------------



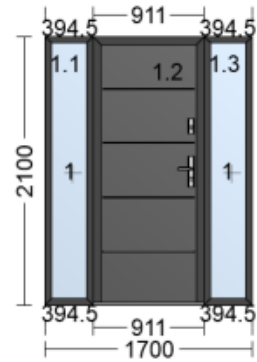
## FULL PANEL DOOR WITH ONE SIDE PANEL (1700X2100)

Price from:	€ 2331 net
-------------	------------



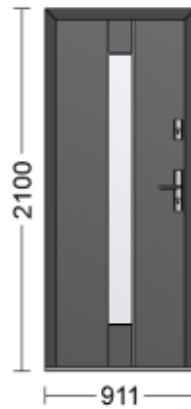
**FULL PANEL DOOR WITH TWO SIDE PANELS (1700X2100)**

Price from:	€ 2731 net
-------------	------------



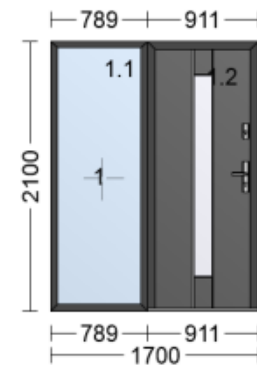
**GLASS PANEL DOOR (911X2100)**

Price from:	€ 1631 net
-------------	------------



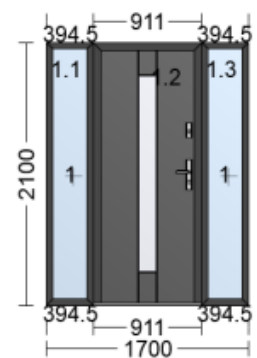
**GLASS PANEL DOOR WITH ONE SIDE PANEL (1700X2100)**

Price from:	€ 2660 net
-------------	------------



**GLASS PANEL DOOR WITH TWO SIDE PANELS (1700X2100)**

Price from:	€ 3060 net
-------------	------------



# STILL HAVE QUESTIONS?

Still not sure which Fenbro product would be the best for you? In order to choose optimally, it is worth talking to the **Fenbro Sales Team** who will help you select the best solutions. If you are looking for detailed window and door sizes and prices, have a closer look at the offer on our [website](#) and don't hesitate to ask for a free quote. Our reliable Sales Specialists will provide you with the final price that is tailored to your specific needs - in up to 2 working days.



# WHAT WE NEED TO PREPARE A QUOTE FOR YOU



- ✓ **Window/door model**  
[Is there any specific U-value required?]
- ✓ **Width x Height** [mm]
- ✓ **Colour** on the interior and exterior
- ✓ **Glazing:** double/triple
- ✓ **Eircode** (so we can check delivery cost)
- ✓ **Contact** details, email address, phone

# HERE'S HOW FENBRO SALES PROCESS LOOKS LIKE

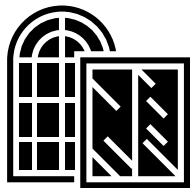
Our sales quotes always include **an itemised list of goods and services requested by you**. In up to 2 working days, you get a free non-binding quote with a detailed item-by-item breakdown of all the costs. What's more, **prices for each item always cover all necessary taxes and discounts** so that you have a clear view of **exactly how much you are going to pay for our products and services** - and why!



**ASKING FOR A QUOTE**



**SALES TEAM**



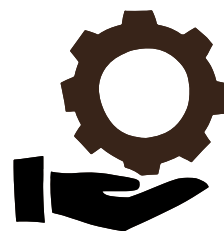
**PRODUCTION**



**DELIVERY**



**INSTALLATION**



**AFTER SALES SERVICE**